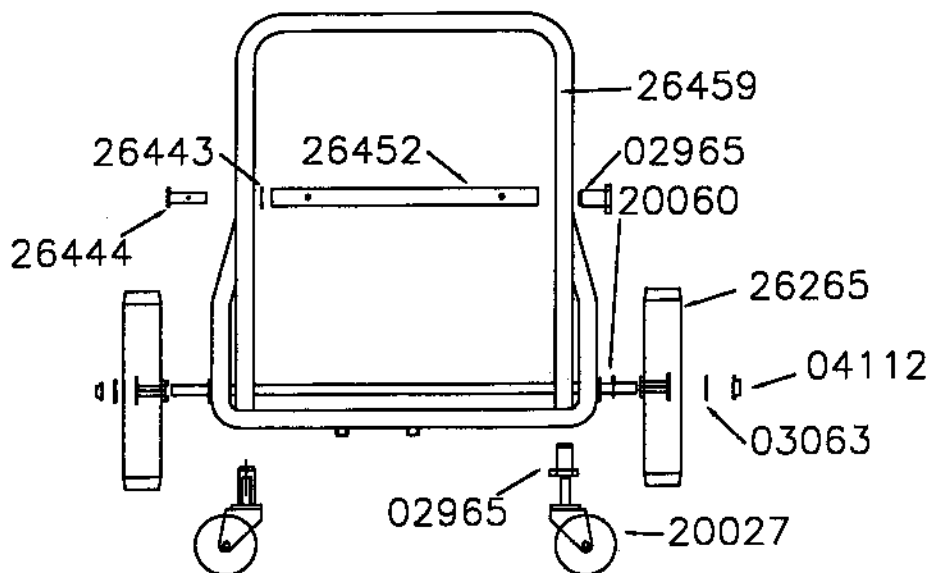
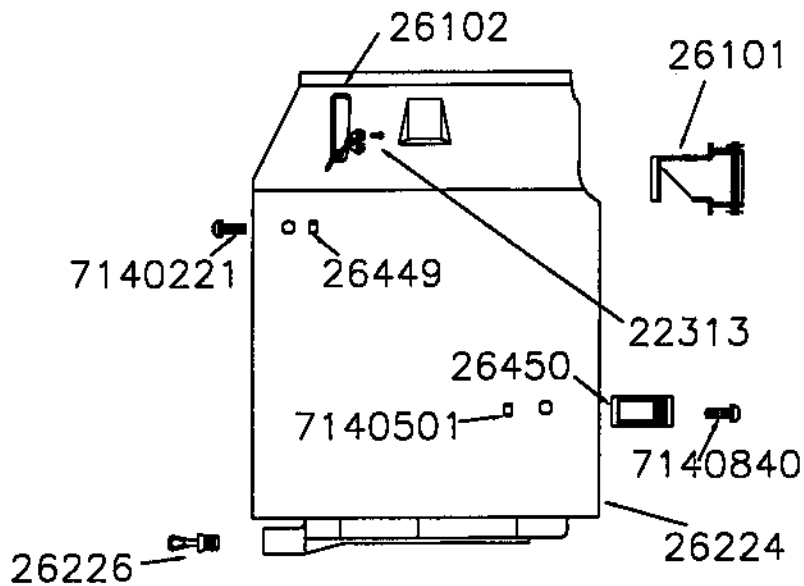


26460

TANK ASSY 18 TIP & POUR

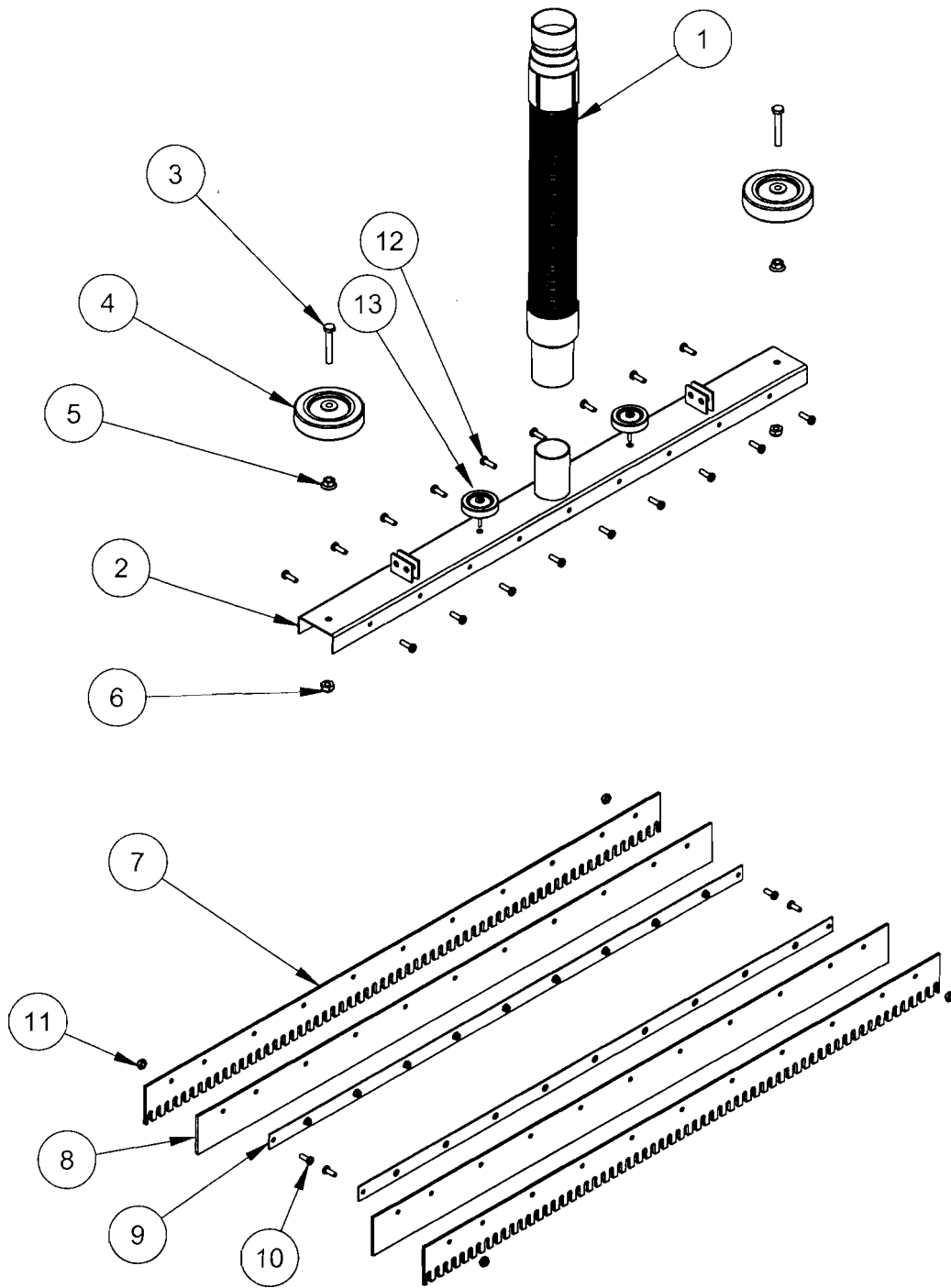


MAY 2001
07610

**TANK ASSY 18 TIP & POUR
PARTS LIST 26460**

ITEM	DESCRIPTION	QTY REQ
02965	CASTER SOCKET	4
03063	NYLON WASHER	4
04112	AXLE END CAPS	2
20027	3" CASTER	2
20060	TENSION WASHER	2
22313	#10 X 3/8 PHS HI-LO	4
26102	CLAMP PLASTIC	2
26101	INLET AIR DEFLECTOR	1
26224	18 GALLON TANK	1
26226	DRAIN PLUG ASSEMBLY	1
26265	10" WHEEL GREY	2
26443	HITCH PIN CLIP SS	2
26444	CLEVIS PIN - TANK HINGE	2
26449	WELD NUT SIZED	2
26450	HANDLE MACHINED	1
26452	HINGE TUBE T & P PTD WWG	1
26459	DOLLY TIP & POUR PTD WWG	1
7140221	SCREW 5/16-18 X 1-1/4 HXHDCP SS	2
7140501	NUT 1/4-20 NYLK SS	2
7140840	SCREW 1/4-20 X 1 RNDPHL SS	2

MAY 2001



Position	Part Number	Description	Qty.
1	26262M	Hose Assembly	1
2	3BD715508	Housing	1
3	3BD735608	Bolt, Guide Wheel, 1/4-20 x 1.75"L.	2
4	3BD735607	Guide Wheel	2
5	3BD735611	Jam Nut, 1/4-20 serrated flanged	2
6	3BD735609	Nylock Nut, 1/4-20	2
7	3BD735602	Slotted Blade	2
8	3BD735601	Solid Blade	2
9	3BD715509	Blade Support	2
10	3BD735604	Blade End Screw, 10-32 x 1/2"L, SS	4
11	3BD735605	Blade End Screw Nut, 10-32, Nylock	4
12	3BD735603	Blade Attachment Screw, 10-32 x 5/8"L SS	18
13	20582M	Holding screw	2
2,3,4,5,6,7,8, ,9,10,11,12, 13	3BD705207	Complete squeegee assembly	1