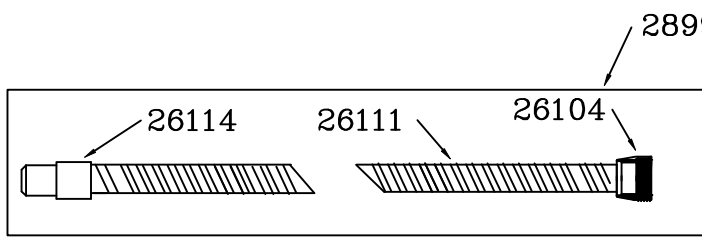
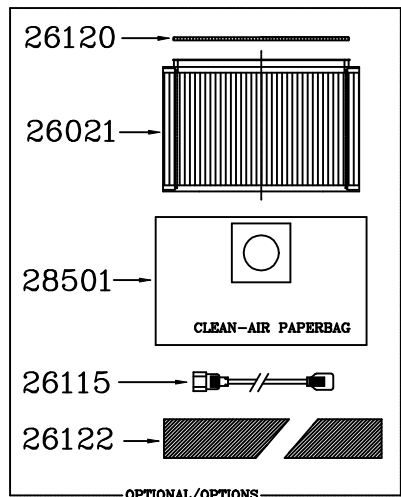
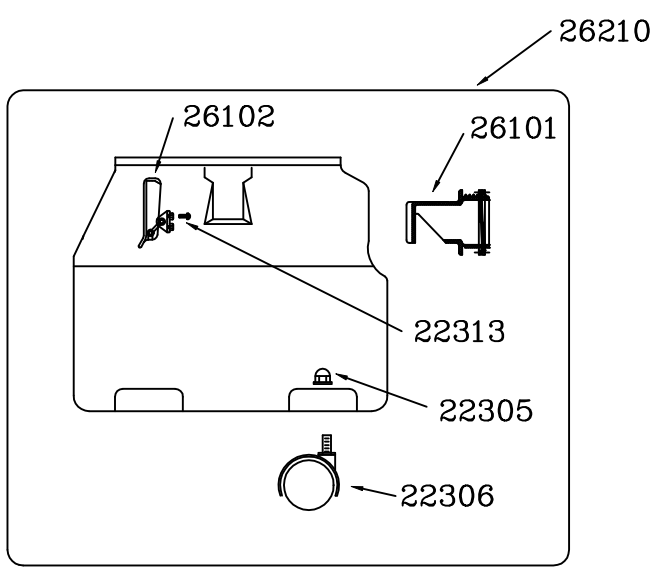
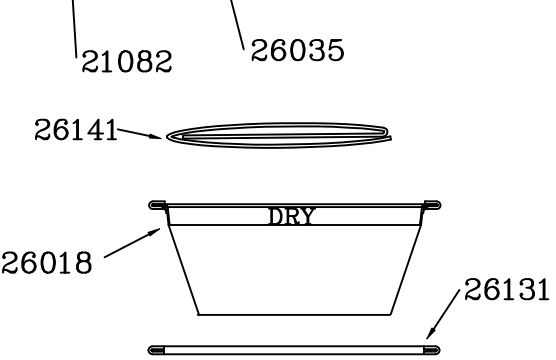
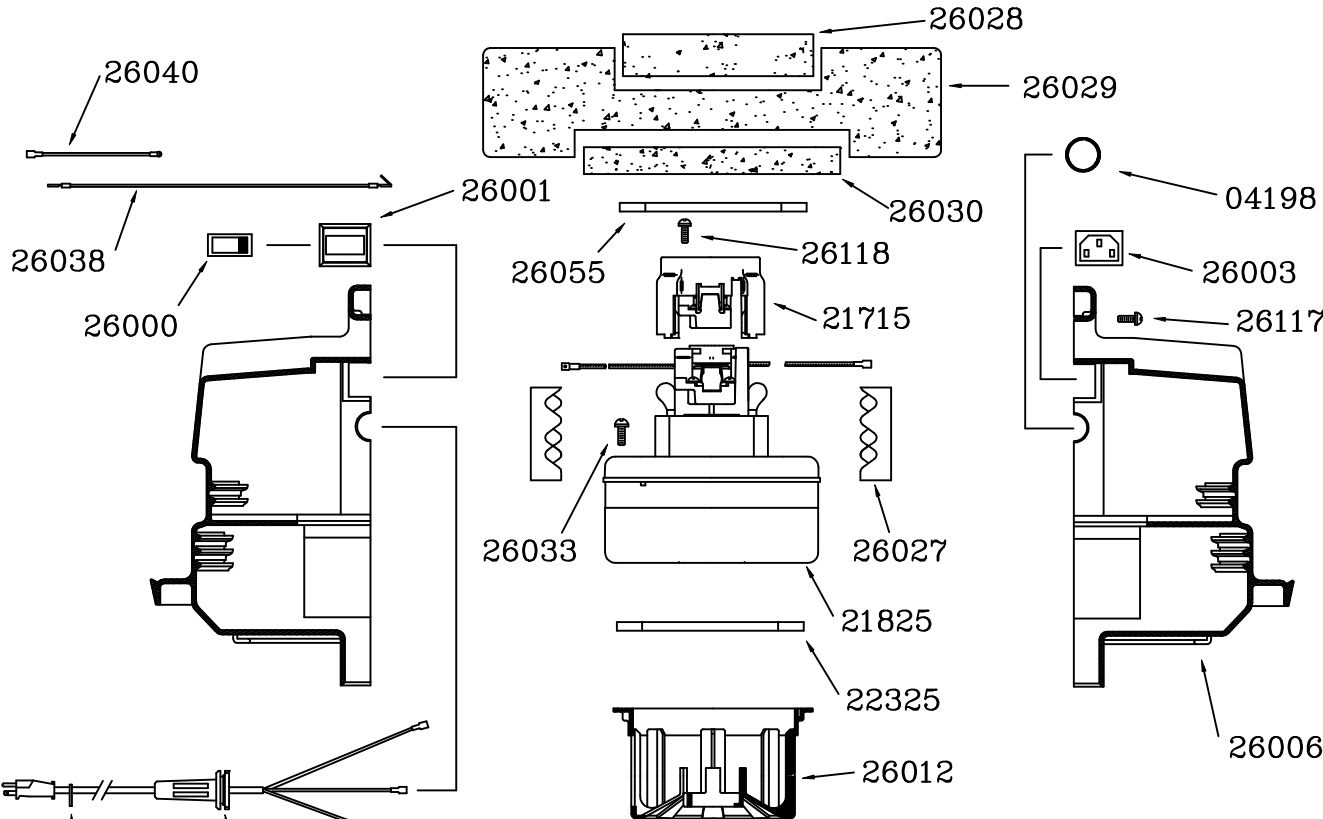


28522

TARGA 330



TARGA 330

PARTS LIST 28522

ITEM	DESCRIPTION	QTY REQ
04198	DOME PLUG	1
21082	CORD GRIP	1
21715	MOTOR COVER	1
21825	MOTOR AIR COOLED	1
22305	ACORN NUT	4
22313	SCREW # 10 X 3/8 LONG	4
22325	UNIVERSAL MOTOR GASKET	1
26000	ROCKER SWITCH	1
26001	SWITCH PLATE	1
26003	POWER OUTLET PLUG	1
26006	MOTOR HOUSING	2
26012	FILTER CAGE SMALL	1
26018	DRY FILTER	1
26027	LOWER ACOUSTIC FOAM	4
26028	TOP ACOUSTIC FOAM	2
26029	SIDE ACOUSTIC FOAM	2
26030	UPPER ACOUSTIC FOAM	2
26033	SCREW #10 X 1" LONG	2
26035	CORD ASSEMBLY	1
26038	BLACK WIRE ASSEMBLY	1
26040	GROUND WIRE ASSEMBLY	1
26055	UPPER MOTOR GASKET	1
26101	INLET DEFLECTOR	1
26102	TANK CLAMP	2
26104	HOSE COUPLING	1
22306	CASTER DUAL WHEEL	4
26111	1 ½ VACUUM HOSE X 8' LONG	1
26114	REDUCER CUFF	1
26117	SCREW # 8 X 3/4 LONG	12
26118	GROUND SCREW # 10 X 3/8 LONG	2
26125	DECAL - TARGA 330	1
26128	DECAL - DUSTBANE	1
26131	FILTER GASKET	1
26141	JOGGER RING	1
26210	TANK ASSEMBLY	1
26318	DECAL - WARNING	1
26321	DECAL - POWER NOZZLE	1
28992	VACUUM HOSE - ASSEMBLY	1
OPTIONAL/OPTIONS		
26021	HOSPITAL FILTER	1
26115	CABLE - POWER NOZZLE	1
26120	HOSPITAL FILTER CLAMP	1
26122	HOSE COVER	1
28501	PAPER BAG - 10 PKG	1

MARCH 2000