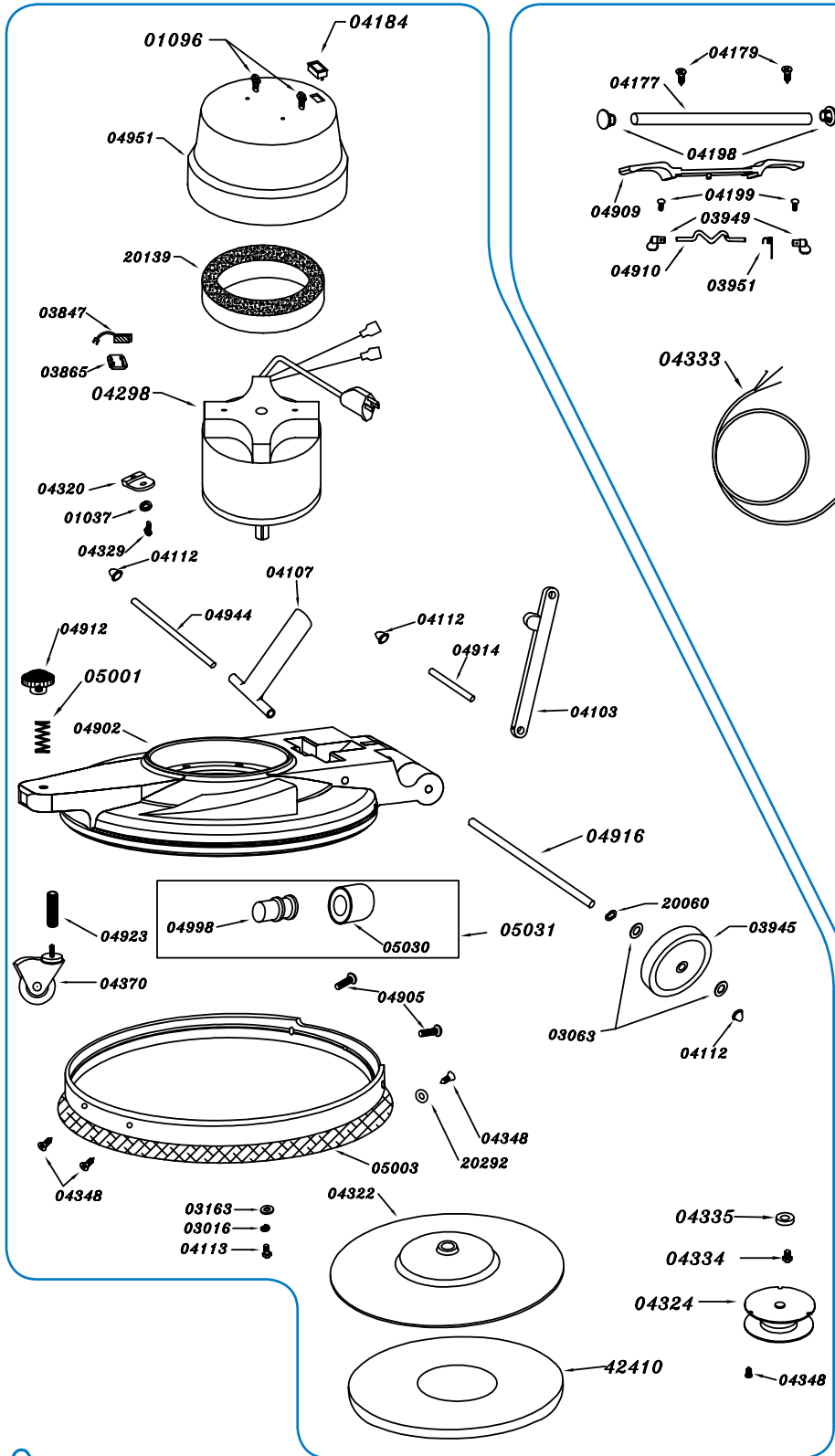


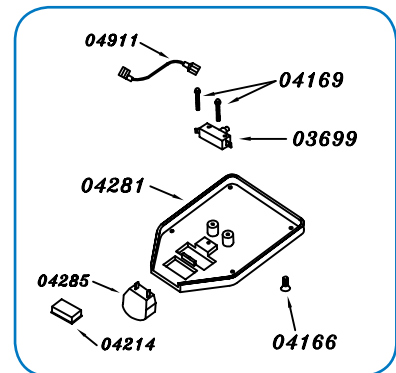
Integra TX UHS 20 DC - 19918

Base Assembly - 04988

Handle Assembly - 04975



Switch Box UHS / 20 DC Cover Assembly - 04389



Integra TX UHS 20 DC - 19918

04988 Base Assembly		
Part #	Description	Qty
01037	3/8" Lockwasher	4
01096	10-24 x 1/2" Phillips Screw	2
03016	5/16 Lockwasher	4
03063	1/2" Nylon Washer	4
03163	5/16" Flat Washer	4
03945	5" Wheel	2
04103	Handle Brace	1
04107	T-Handle Support	1
04112	Axle end cap	6
04113	5/16- 18 X 1 1/2" Bolt	4
04167	Hitch Pin	1
04184	Indicator Light	1
04298	1 1/2 HP DC Motor 2000 rpm	1
04320	Motor Support Bracket	4
04322	Flex- Lock	1
04324	Center Lock c/w Screws (3)	1
04329	3/8"-16 x 5/8" Bolt	4
04334	5/16"-18 x 3/4" Socket Screw	1
04335	1 1/4" Washer Cup	1
04348	8 x 5/8" Phillips Screw	10
04370	Caster	1
04902	Chassis UHS	1
04905	1/4-20 X 3/4" Phillips Screw	2
04912	Adjustment Knob	1
04914	Axle 4.40"	1
04916	Axle 13.78"	1
04923	Wheel Stud	1
04944	T-Support Axle	1
04951	Motor Cover	1
05001	Wheel Adjustment Spring	1
05003	Bumper / Dust Skirt	1
20060	1/2" Tension Washer	2
20139	Foam Shroud	1
20292	Brass Washer	1
42410	Blue Ice Burnishing Pad 19" (5/cs)	.2
05031 Filter Cartridge Assembly		
Part #	Description	Qty
04998	Filter Sleeve	1
05030	Filter Cartridge	1

04975 Handle Assembly		
Part #	Description	Qty
01745	Pigtail 42"	1
03789	Foam Handle Grip	2
03857	90 degree Slide Terminal	1
03949	Safety Switch Knob	2
03951	Safety Switch Spring	1
04131	Switch Box	1
04137	Cord Hook	1
04139	Chrome Handle Tube	1
04142	Cam Lever Assembly c/w 4147 Plug	1
04148	Extension Rod	1
04151	Tapered Sleeve	1
04152	Handle Wedge	1
04155	Cable Spring	1
04158	Bushing	2
04159	5/16" x 18 Nylon Lock Nut	2
04173	3/8" Grommet	1
04177	Handle Tube	1
04179	#14-1 1/2" Flat head Screw	2
04190	8-32 X 1/2" Phillips Screw	4
04198	Handle Tube Plug	2
04199	8-32 X 1/4" Phillips Screw	3
04248	1/4-20 X 3/4" Bolt	3
04260	5/16-18 X 5/16" Set Screw	1
04333	Power Cord 75' / 22.86M	1
04909	Trigger	1
04910	Safety Switch Lever	1
20002	1/4"-20 Nylon Lock Nut	2
20484	Cord Grip	2
22305	3/8"-16 Flanged Accorn Nut	1

04389 Switch Box UHS 20 DC Cover Assembly		
Part #	Description	Qty
03699	1 1/2 HP Micro Switch	1
04166	8-32 X 1/4" Phillips Screw	4
04169	6-32 X 7/8" Phillips Screw	2
04214	Insert Switch	1
04281	Switch Box Cover	1
04285	UHS Amp Meter	1
04911	Meter Lead Wire	1

Optional Spare Parts		
Part #	Description	Qty
03847	Carbon brush 4 per Set	1
03865	Rectifier	1