

# Parts Manual Manuel de pièces



---

## Gladiator 1050 Ride-On

---

Gladiator Series

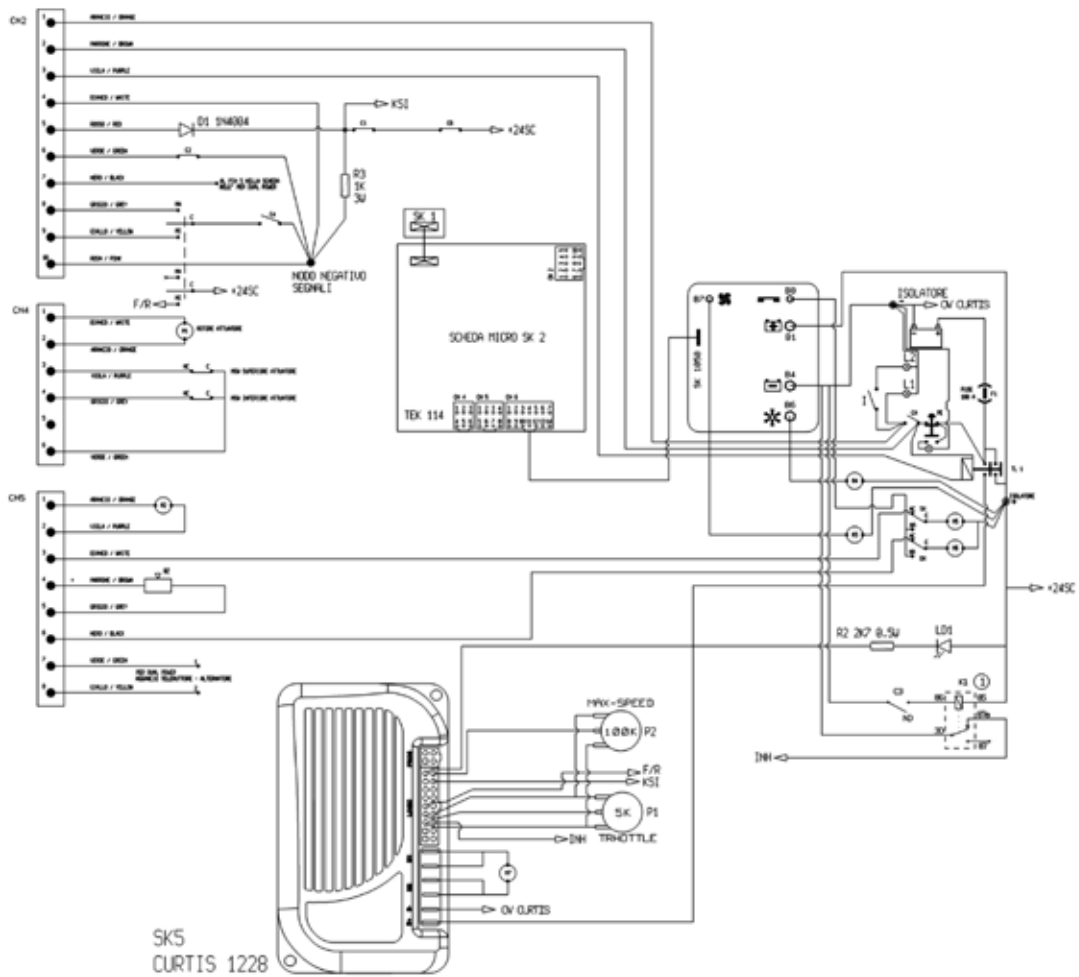
Code: 19676-C-OB

Serial #: \_\_\_\_\_

Date of Purchase: \_\_\_\_\_

More info : [www.dustbane.ca](http://www.dustbane.ca)  
07-2011

# Elec Dia #1



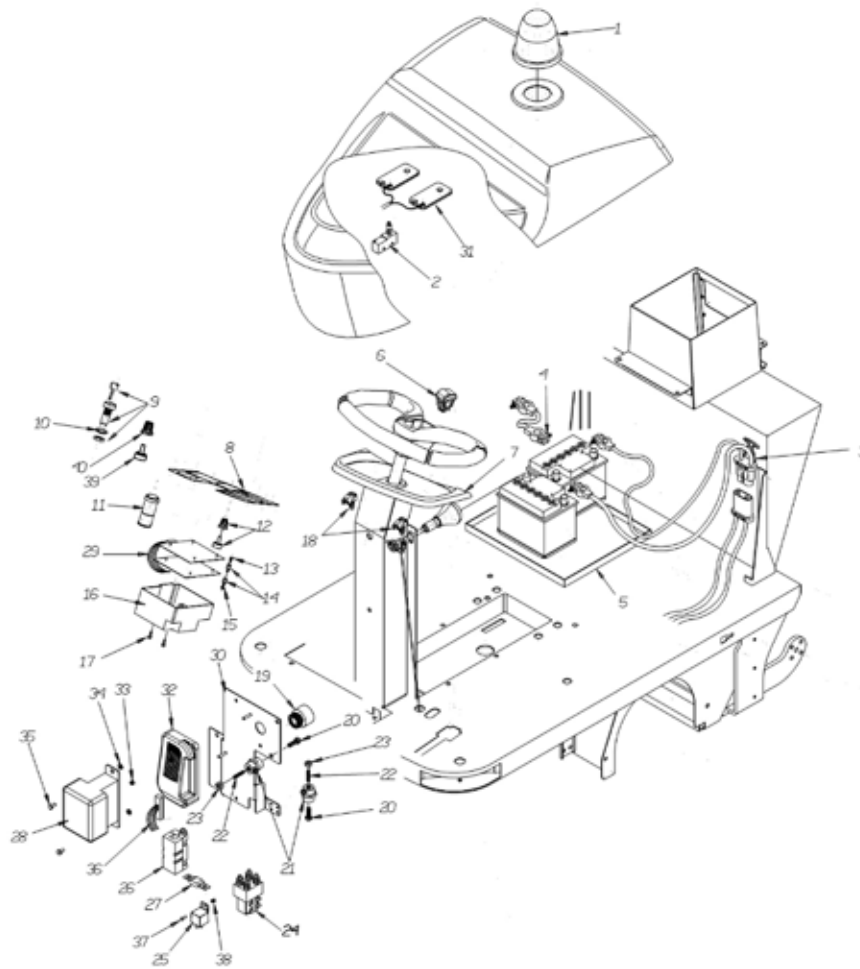
Ref.	Part N.	Description	Quantity	Validity From	Validity To
00C4	3MECB01228	WIRING	1		
00F1	3MEVR00145	FUSE - 100A	1		
00M1	3MOCC00009	ACTUATOR	1		
00M2	3MOCC00004	MOTOR	1		
00M3	3MOCC00008	MOTOR VENT	1		
00M4	3MOCC00297	MOTOR	1		
00M5	3MOCC00031	MOTOR - GEARBOX	1		
00M6	3MOCC00032	MOTOR - GEARBOX	1		
00M7	3MOCC00029	MOTOR	1		
00P1	3MECB01227	WIRING - ACCELERATOR	1		
0SK2	3MECE00498	BOARD	1		
0SK3	3MECE00495	BOARD	1		
0SK5	3MECE00497	BOARD	1		
0TL1	3MECI00037	CONTACTOR - TL22 P V 24V	1		

## Elec Dia #2

M1	MOTORE ATTUATORE	ACTUATOR MOTOR	M1	MARCIA INDIETRO	REVERS GEAR
M2	MOTORE SQUOTIFILTRO	FILTERSHAKER MOTOR	MA	MARCIA AVANTI	FORWARD GEAR
M3	MOTORE ASPIRAZIONE	SUCTION MOTOR	L1	LUCE PIUOTTANTE	FLASHING LIGHT
M4	MOTORE SPAZZOLA CENTRALE	CENTRAL BRUSH MOTOR	L2	FARO ANTERIORE	FRONT LIGHTS
M5	MOTORE SPAZZOLA LATERALE SINISTRA	LEFT BRUSH MOTOR	I	INTERRUTTORE FARO ANTERIORE	SWITCH FRONT LIGHTS
M6	MOTORE SPAZZOLA LATERALE DESTRA	RIGHT BRUSH MOTOR	R3	RESISTENZA CIRCUITO TERMICA	THERMAL CIRCUIT RESISTOR
M7	MOTORE TRAZIONE	TRACTION MOTOR	D1	DIODO CIRCUITO TERMICA	THERMAL CIRCUIT DIODE
TL1	TELERUTTORE BIPOLARE	ELECTROMAGNETIC SWITCH BIPOLAR	LD1	LED STATO CURTIS	STATUS LED SURTIS
C1	CLIXON MOTORE TRAZ	CLIXON TRACTION MOTOR	R2	RESISTENZA-LED STATO CURTIS	RESISTOR STATUS LED SURTIS
C2	LIVELLO TROPPO PIENO	OVERFILLING LEVEL	SK5	SCHEDA CURTIS	CURTIS CONTROLLER
C3	MSU SEDILE	MSU SEAT	K1	RELAY	RELAY
C4	MSU PEDALE AVANZAMENTO	MSU ADVANCEMENT PEDAL			
C6	CLIXON MOTORE SPAZZOLA	CLIXON BRUSH MOTOR			
P1	POTENZIOMETRO PEDALIERA 4K7	RUDDER PEDALS POTENTIOMETER 4K7			
P2	POTENZIOMETRO VEL. MASSIMA	MAX SPEED POTENTIOMETER			
CH	INTERRUTTORE CHIAVE	KEY SWITCH			
PE	PULSANTE EMERGENZA	EMERGENCY PUSHBUTTON			
BZ	BUZZER	BUZZER			
F1	FUSIBILE 100 A	FUSE 100 A			
SK1	PLANCIA COMANDI	DASHBOARD			
SK2	SCHEDA MICRO	MICRO CARD			
SK3	SCHEDA POTENZA	OUTPUT CARD			

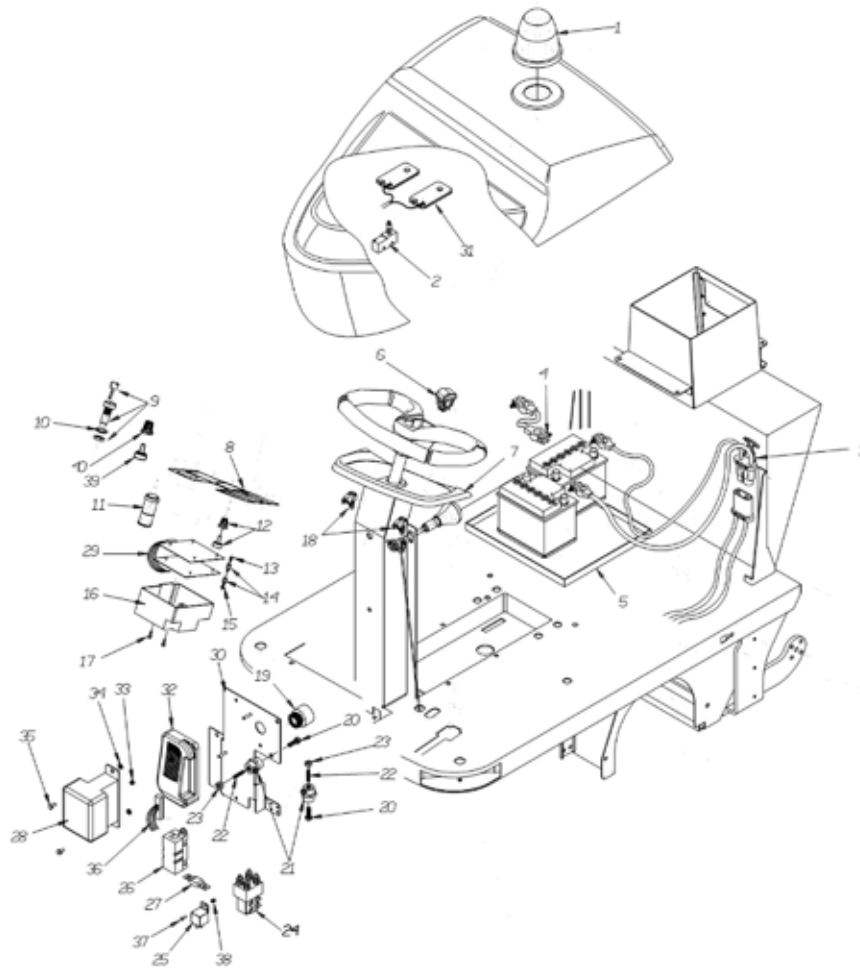
Ref.	Part N.	Description	Quantity	Validity From	Validity To
00C4	3MECB01228	WIRING	1		
00F1	3MEVR00145	FUSE - 100A	1		
00M1	3MOCC00009	ACTUATOR	1		
00M2	3MOCC00004	MOTOR	1		
00M3	3MOCC00008	MOTOR VENT	1		
00M4	3MOCC00297	MOTOR	1		
00M5	3MOCC00031	MOTOR - GEARBOX	1		
00M6	3MOCC00032	MOTOR - GEARBOX	1		
00M7	3MOCC00029	MOTOR	1		
00P1	3MECB01227	WIRING - ACCELERATOR	1		
OSK2	3MECE00498	BOARD	1		
OSK3	3MECE00495	BOARD	1		
OSK5	3MECE00497	BOARD	1		
OTL1	3MECI00037	CONTACTOR - TL22 P V 24V	1		

# Elec Install



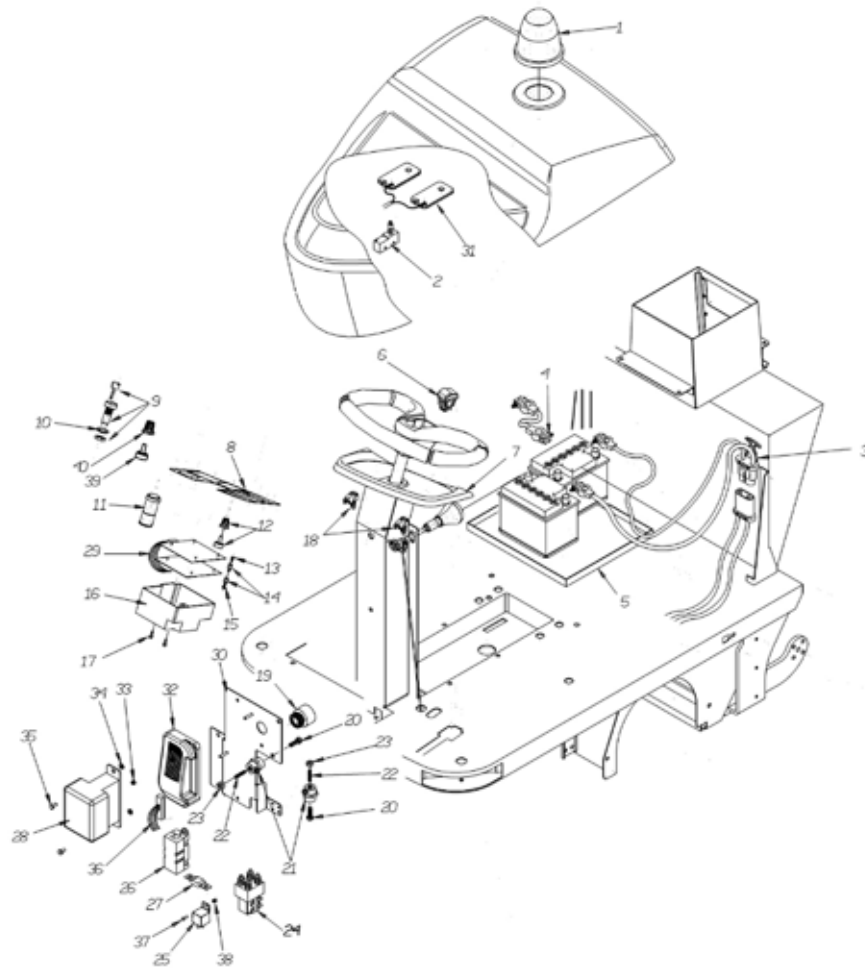
Ref.	Part N.	Description	Quantity	Validity From	Validity To
1	3MEVR00935	FLASHING LIGHT	1		
2	3MECI75801	MICROSWITCH	1		
3	3MECB44779	WIRING	1		
4	3MECB44778	CABLE	3		
5	3LAFN46836	BATTERY SUPPORT	1		
6	3MECI00038	SWITCH	1		
7	3MPVR00300	INSTRUMENT PANEL THERMOCOUPLER	1		
8	3MEVR01984	DASHBOARD	1		
9	3MECI75805	SWITCH	1		
10	3VTRS00023	WASHER - INT.UNI 6798 D.18	1		
11	3MECI00028	EMERGENCY BUTTON	1		

# Elec Install



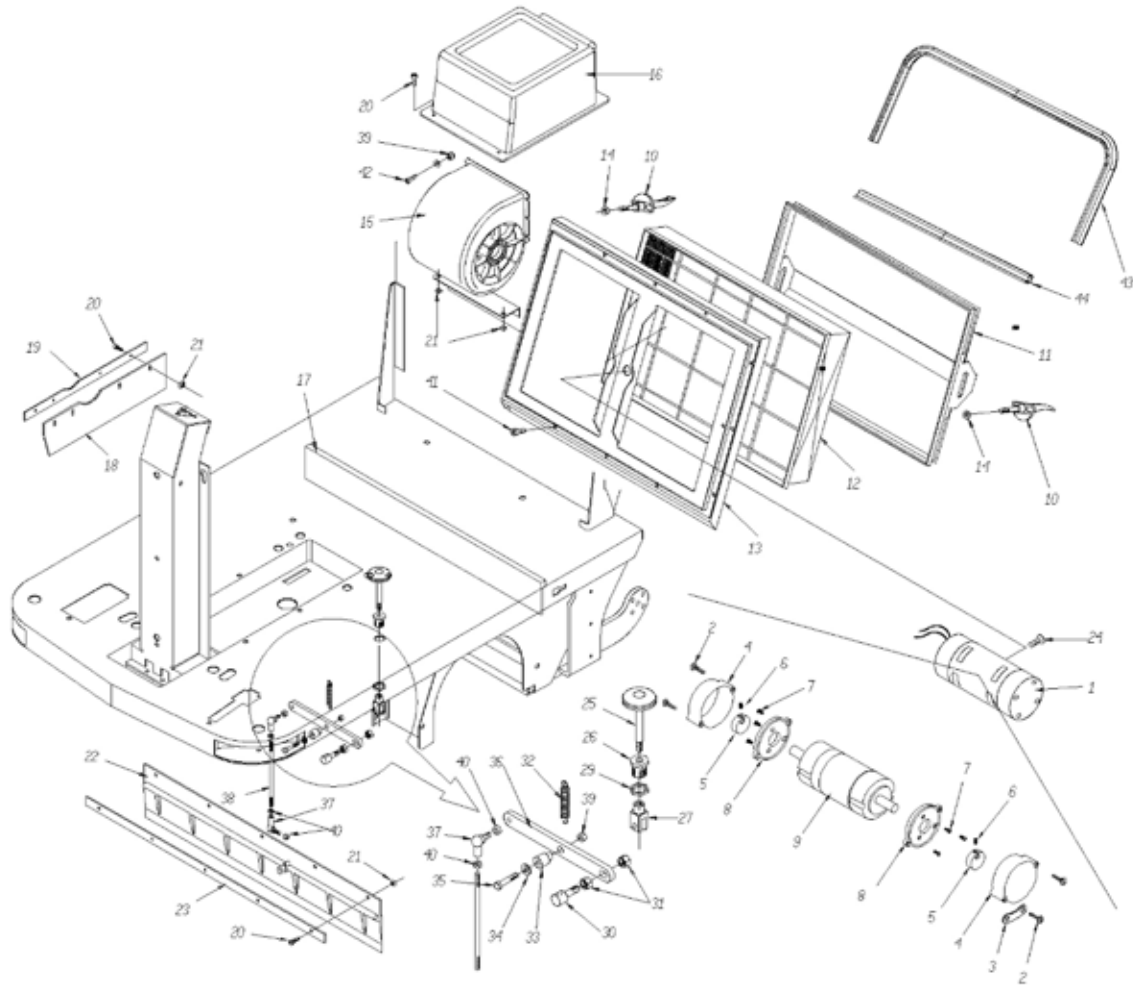
12	3MECE00498	BOARD	1
13	3VTVT00035	SCREW - M 3X 8 TS TC ZC	4
14	3LAFN47038	CONNECTOR - M-F M3	4
15	3VTDD00001	NUT - UNI 5588 M3 ZB	4
16	3MPVR04902	COVER	1
17	3VTVT00288	SCREW - TCTC 4X10	2
18	3MECI75801	MICROSWITCH	2
19	3MEVR00092	BUZZER	1
20	3VTVT75719	SCREW - TE F/ROND. M 6 X 10	2
21	3MEVR47082	INSULATOR - M6 35-CH32	2
22	3VTVT47088	SCREW - EI-ST 6X30 UNI5923 ZC	2
23	3VTDD00004	NUT - M 6 ZC UNI5588	2
24	3MECI00532	CONTACTOR - 24V-100A	1
25	3MECI00005	RELAY - 24V 10/20A	1

# Elec Install



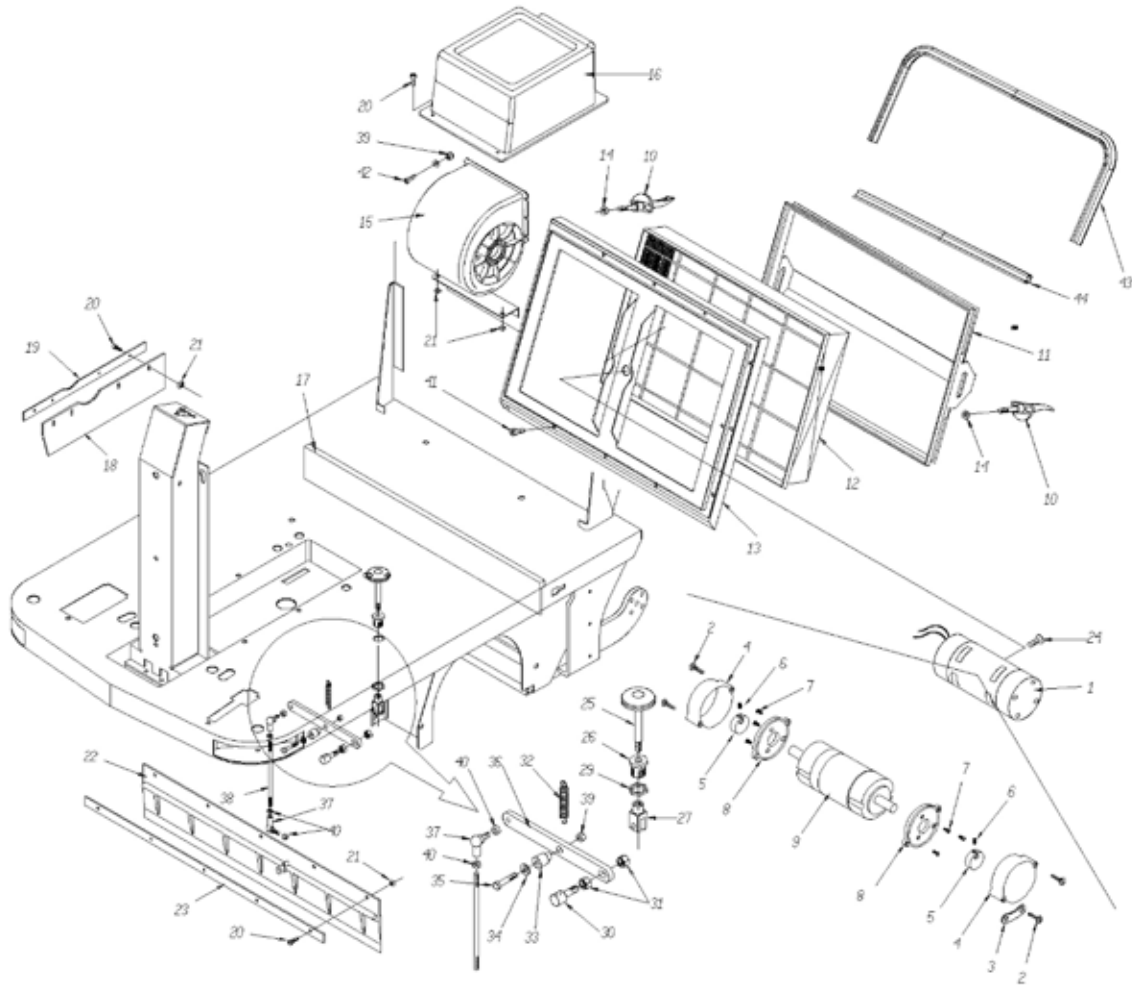
26	3MEVR00146	FUSE HOLDER	1
27	3MEVR00145	FUSE - 100A	1
28	3MECE00495	BOARD	1
29	3MECE00498	BOARD	1
30	3LAFN08824	SPACER	1
32	3MECE00497	BOARD	1
33	3VTDD08171	NUT - M 5 TEF	2
34	3VTRS00365	THICKNESS - 18X25X1	2
35	3VTVT01127	SCREW - TE M6x20	2
36	3MECB01223	WIRING	1
37	3VTVT00003	SCREW - TE M 4X 12 ZC. UNI 5739	1
38	3VTDD04369	NUT - M 4 TEF UNI 7473	1
39	3MEVR01941	POTENTIOMETER	1
40	3KTRI01935	KIT	1

# Filter



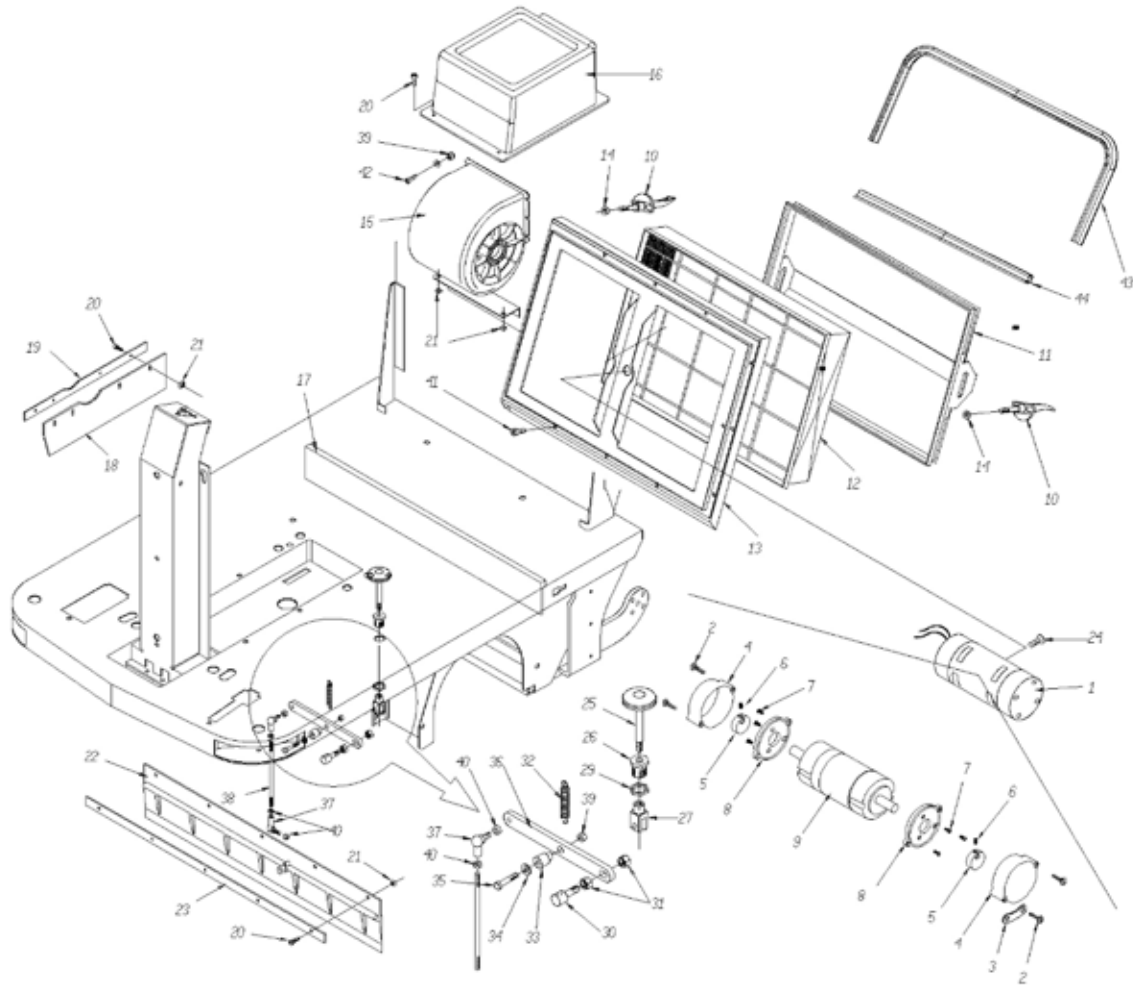
Ref.	Part N.	Description	Quantity	Validity From	Validity To
1	3MOCC45112	MOTOR	1		
2	3VTVT47138	SCREW - TSP-TC 3,9X32 ZC. UNI6955	4		
3	3MPVR00765	RUBBER	2		
4	3LAFN47139	MOTOR COVER	2		
5	3LAFN47140	BUSHING	2		
6	3VTVT75731	SCREW - UNI 5923 6 X5	2		
7	3VTVT76616	SCREW - M 4x18 STEAM GUN	6		
8	3MFVR47141	FLANGE MOTOR	2		
9	3MOCC00004	MOTOR - D.63 24V G3800 W35	1		
10	3PMVR00383	HANDLE	2		
11	3LAFN01172	FRAME - FILTER	1		
12	3FTDP00010	FILTER	1		
13	3LAFN01030	FRAME	1		
14	3VTDD13261	NUT - M 8X1 UNI 5589	2		

# Filter



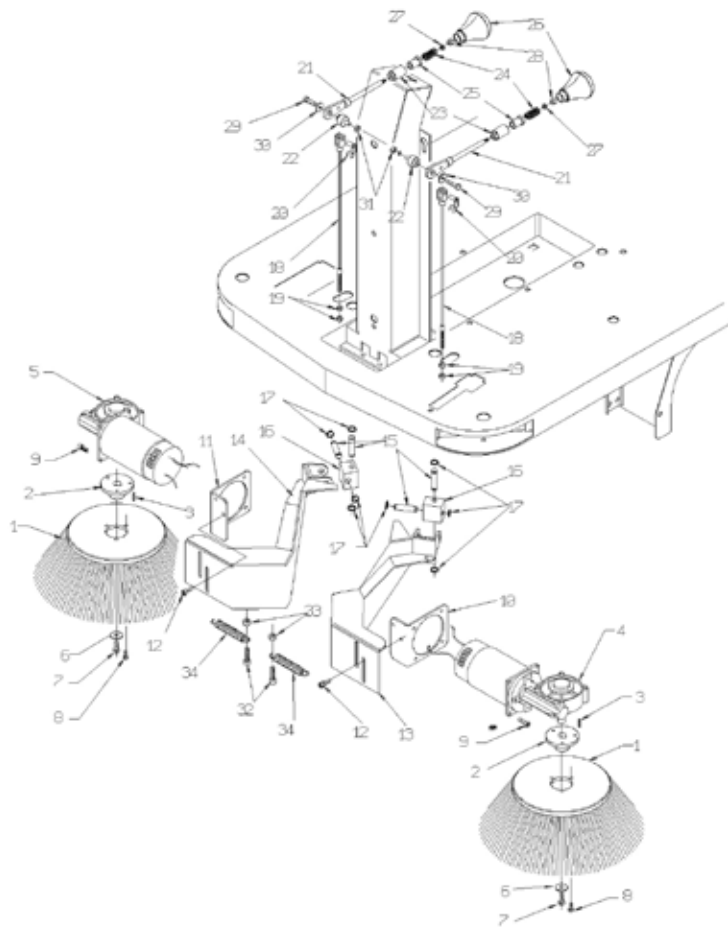
15	3MOCC00008	MOTOR VENT	1
16	3MPVR00864	FAN COVER	1
17	3MPVR00760	FLAP - REAR	1
18	3MPVR04709	FLAP - SIDE	1
19	3LAFN00325	CLAMP FLAP	1
20	3VTVT00106	SCREW - AUTOFIL. TC 3,5X14,5	13
21	3VTVR47015	INSERT - PLS. D.3	13
22	3MPVR00847	FLAP - REAR	1
23	3LAFN00326	CLAMP FLAP	1
24	3VTVT47143	SCREW - TSPEI M 10X 16 ZC UNI5933	1
25	3LAFN01150	PEDAL	1
26	3LAFN01159	PIN	1
27	3CMCV00001	FORK - UNI 1676 M8X16	1
29	3VTDD00022	NUT - UNI 5589 M18x1,5 zb	1
30	3VTVT00010	SCREW - TE UNI 5739 8X40 ZB	1

# Filter



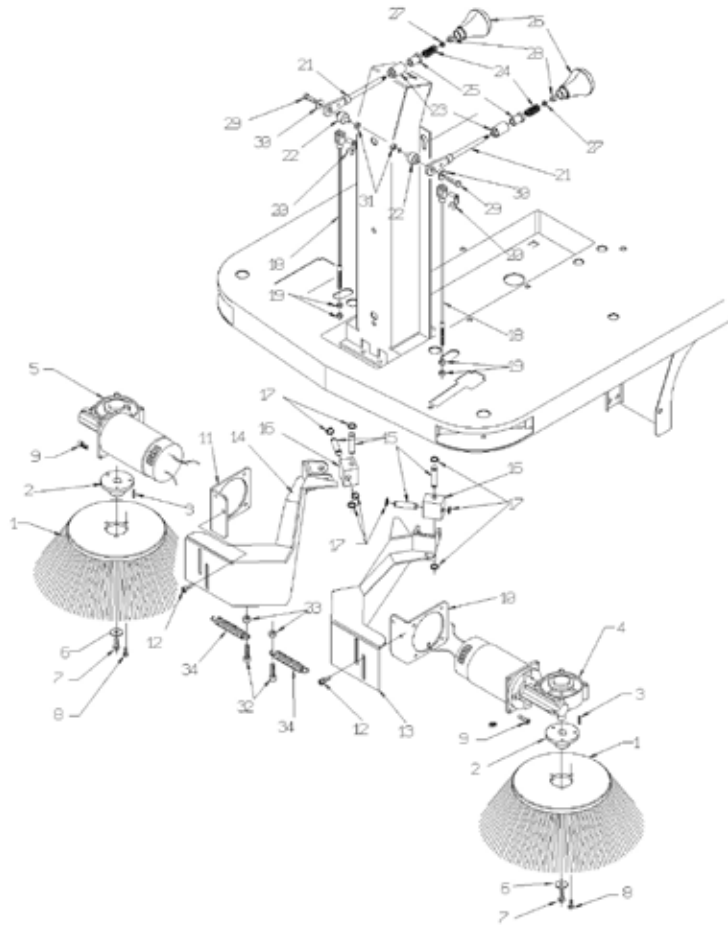
31	3VTDD87083	NUT - AUTO BLOCK M8 DIN 985 ZB	1
32	3MLML00037	SPRING	1
33	3LAFN01160	PIN	1
34	3VTRS86634	WASHER - 6X18X1,5 UNI6593	1
35	3VTVT63029	SCREW - TCEI M 6X 35 UNI 5931 ZB	1
36	3LAFN01163	ROD	1
37	3VTVR45280	ARTICULATION	2
38	3LAFN06357	PIN	1
39	3VTDD00010	NUT - AUTOBLOK DIN 985 M6 BASSO	5
40	3VTDD00004	NUT - M 6 ZC UNI5588	4
41	3VTVT09913	SCREW - TCEI 6X16 UNI5931	12
42	3VTVT24209	SCREW - TCEI 6X12 UNI5931	6
43	3GUGO00285	GASKET	1,50
44	3GUGO00285	GASKET	0,80

## Side Brushes



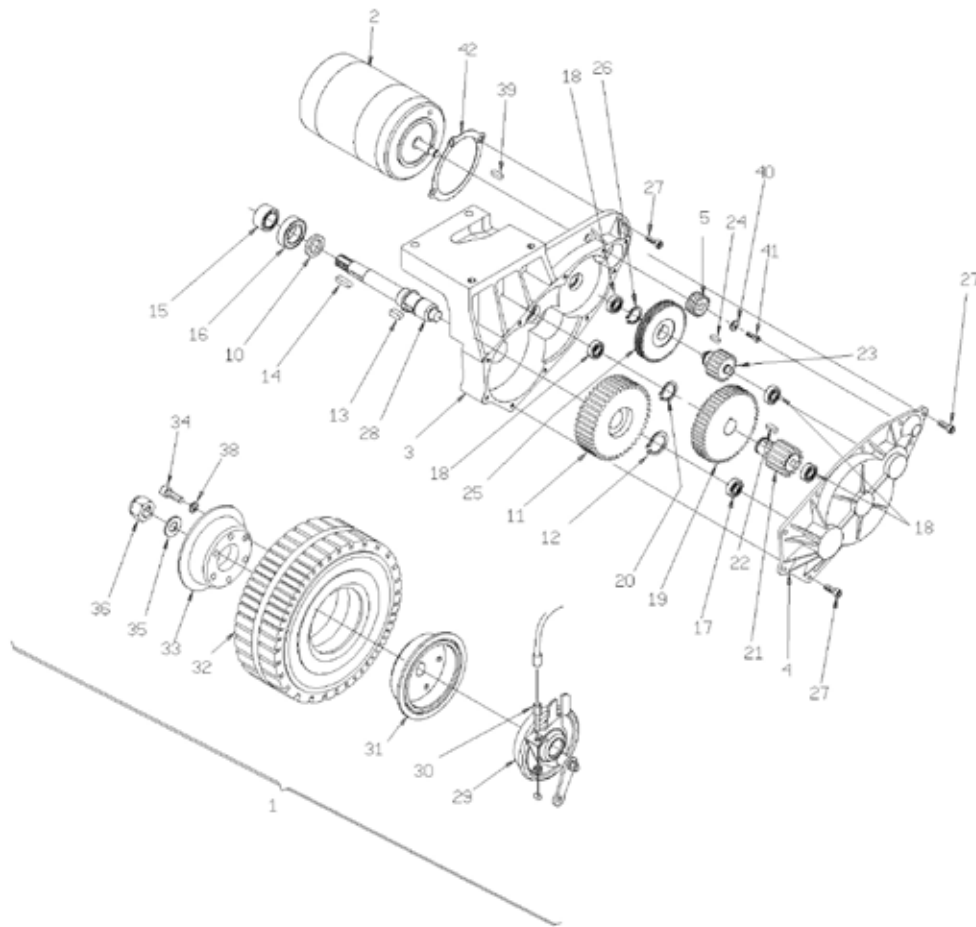
Ref.	Part N.	Description	Quantity	Validity From	Validity To
1	3SPPV75790	BRUSH - SIDE	2		
2	3LAFN45010	FLANGE	2		
3	3VTVR13165	KEY - 5X5X20	2		
4	3MEVR31145	CARBON	2		
4	3MOCC00031	MOTOR GEARBOX - LEFT	1		
5	3MEVR31145	CARBON	2		
5	3MOCC00032	MOTOR GEARBOX - RIGHT	1		
6	3VTRS63242	WASHER - D. 6 X24 ZC	2		
7	3VTVT75719	SCREW - TE F/ROND. M 6 X 10	2		
8	3VTVT62920	SCREW - TE F/ROND. M 6X 16 ZB	6		
9	3VTVT09913	SCREW - TCEI 6X16 UNI5931	8		
10	3LAFN00809	PLATE	1		
11	3LAFN00808	PLATE	1		
12	3VTVT75719	SCREW - TE F/ROND. M 6 X 10	4		
13	3LAFN00800	SUPPORT - LEFT	1		
14	3LAFN00798	SUPPORT - RIGHT	1		
15	3LAFN01148	PIN	4		
16	3LAFN00154	BLOCK BRACKET	2		

## Side Brushes



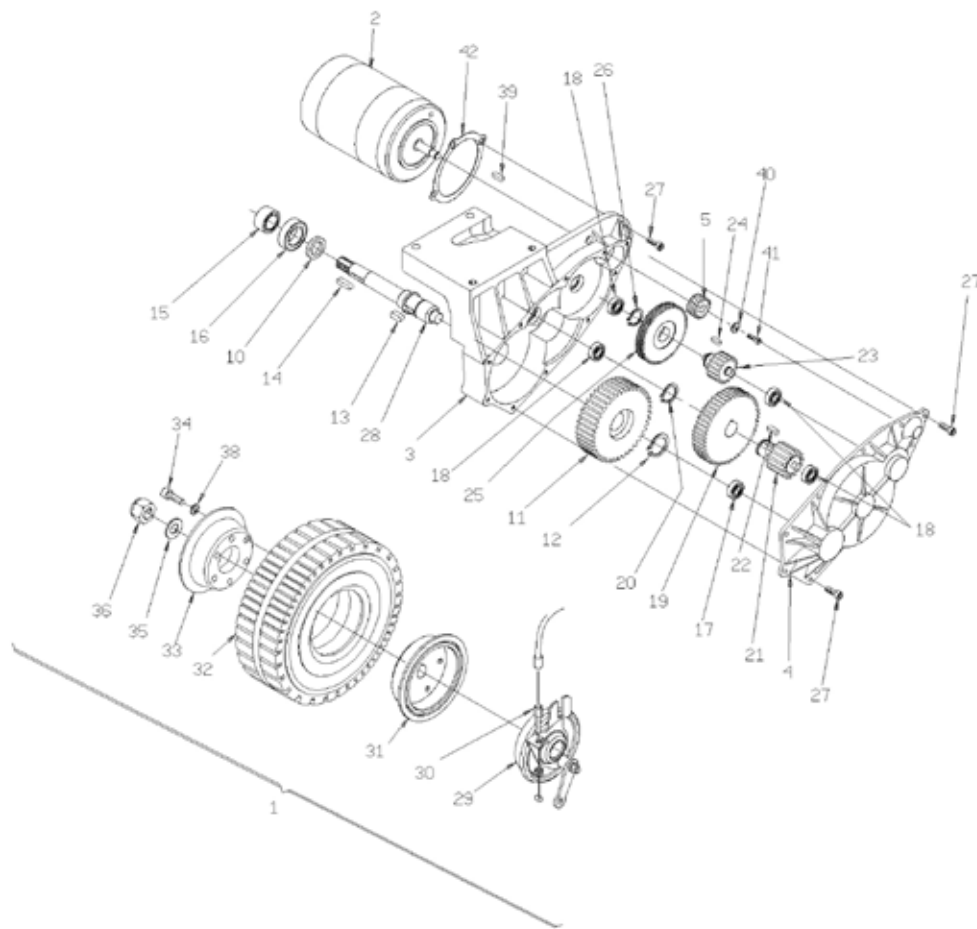
17	3VTAE87276	SEEGER EXT. - D10 DIN471	8
18	3CMCV00053	CABLE	2
19	3VTDD00004	NUT - M 6 ZC UNI5588	4
20	3CMCV00009	CLIP - UNI 1676	2
21	3LAFN00803	ARM	2
22	3LAFN00153	BUSHING	2
23	3MPVR00081	BUSHING	2
24	3MLML00027	SPRING	2
25	3LAFN00523	DOOR	2
26	3MPVR00886	SMALL KNOB	2
27	3VTRS00010	WASHER - UNI 6592 5X10 ZB	2
28	3VTDD00017	NUT - AUTOBLOK DIN 985 M5	2
29	3VTVT12255	SCREW - TCEI 6X25 UNI5931	2
30	3VTRS86634	WASHER - 6X18X1,5 UNI6593	2
31	3VTDD19688	NUT - M6 UNI 7473	2
32	3VTVT00016	SCREW - TE UNI 5739 8X30 ZB	2
33	3VTDD87083	NUT - AUTO BLOCK M8 DIN 985 ZB	2
34	3MLML45102	SPRING	2

# Traction Motor



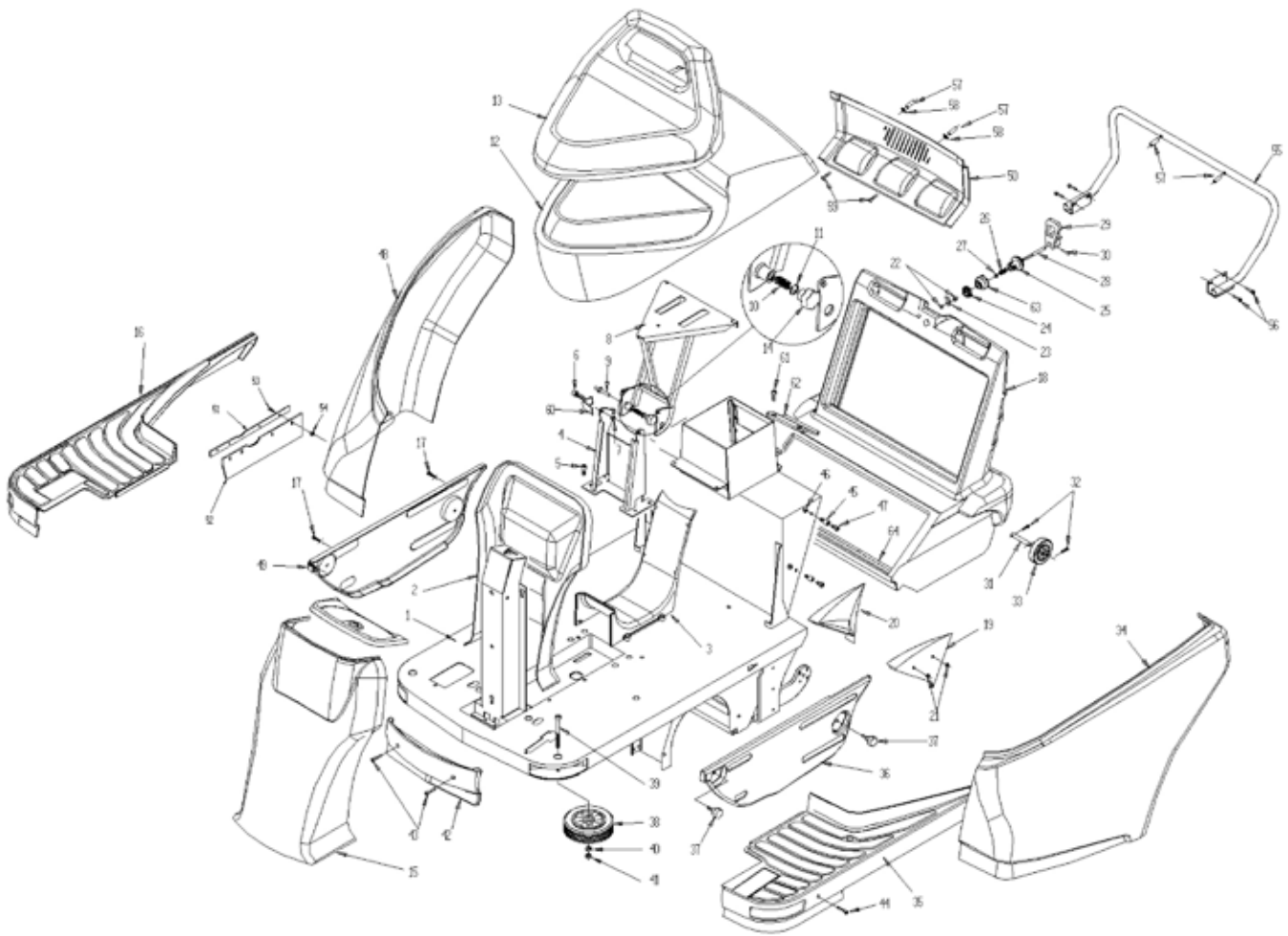
Ref.	Part N.	Description	Quantity	Validity From	Validity To
1	3PMTR00079	DRIVE WHEEL - COMPLETE	1		
2	3MOCC00029	DRIVE WHEEL - MOTOR	1		
3	3MFVR00020	SUPPORT	1		
4	3MFVR00019	COVER	1		
5	3MTCR00010	PINION	1		
10	3GUVR00026	PACKING	1		
11	3MTCR00006	BRAKE	1		
12	3VTAE09655	CIRCLIP - D. 25 UNI 7435	1		
13	3VTVR00052	KEY - UNI 6604 8X7X18	1		
14	3VTVR23472	KEY - 6X6X25	1		
15	3CUVR00021	BEARING - 20X32X16 NKI2016	1		
16	3CUVR00022	BEARING - 25x42x11 51105	1		
17	3CUVR00023	BEARING - 6002 15x32x9	1		
18	3CUVR00024	BEARING - 609 9x24x7	3		
19	3MTCR00011	BRAKE	1		
20	3VTAE33674	CIRCLIP - D. 22 UNI 7435	1		
21	3MTCR00008	PINION	1		
22	3VTVR00053	KEY - UNI 6604 6X6X18	1		

# Traction Motor



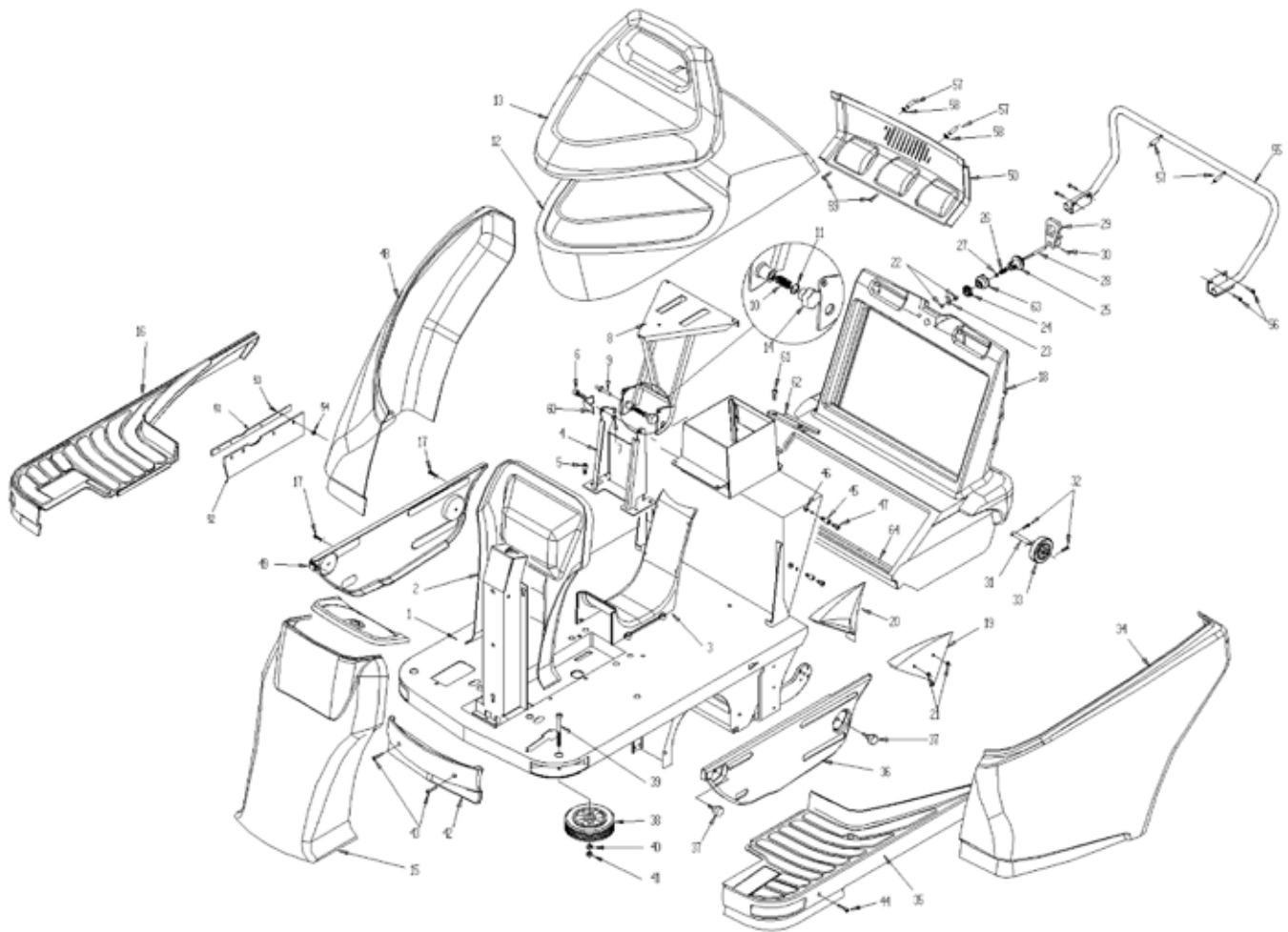
23	3MTCR00009	PINION - MODULO 2	1
24	3VTVR00054	KEY - UNI 6604 5X5X10	1
25	3MTCR00007	BRAKE	1
26	3VTAE76740	CIRCLIP - D.20 UNI 7435	1
27	3VTVT00123	SCREW - TCCE UNI5931 6X16 AC.8.8	10
28	3LAFN01162	PIN	1
29	3VTVR00051	BRAKE	1
30	3CMCV75723	REGISTER - D.7	1
31	3MFVR00014	HUB	1
32	3RTRT00037	RING	1
33	3LAFN85380	HUB - SW 1000E/S 22501005	1
34	3VTVT00074	SCREW - TCCE UNI 5931 8X16 ZB	5
35	3VTRS00508	WASHER - D.16 UNI 6592	1
36	3VTDD01689	CARRYNG BAG	1
38	3VTRS00020	WASHER - GOWER UNI 1751 UNI 1751	5
39	3VTVR01677	KEY - 5X5X18 UNI 6604-69	1
40	3VTRS04026	WASHER - D. 6X18X2.38	1
41	3VTVT01109	SCREW - TE M 6X 10 ZC. UNI 5739	1
42	3GUVR00215	GASKET	1

## Body & Frame



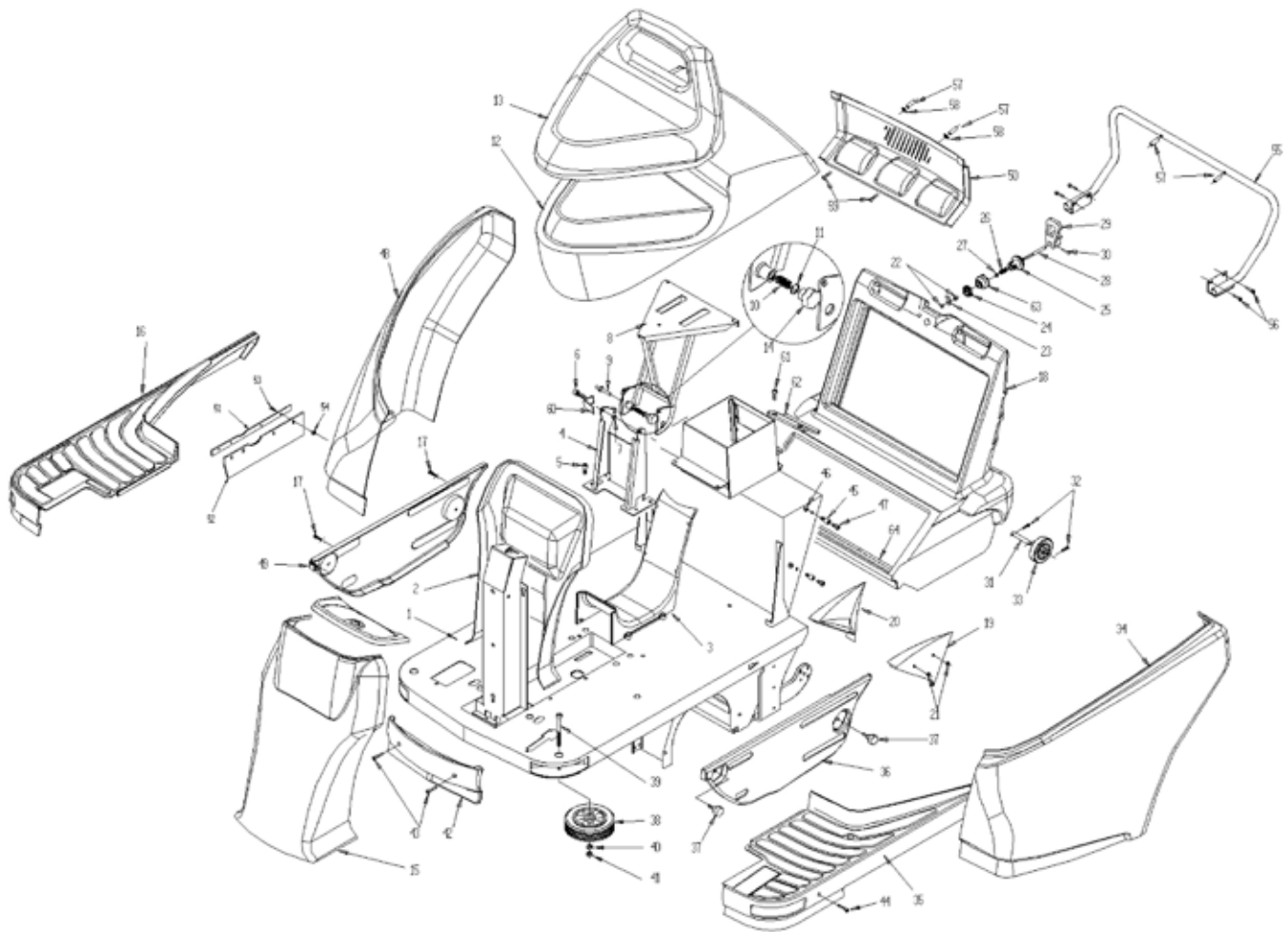
Ref.	Part N.	Description	Quantity	Validity From	Validity To
1	3LAFN01029	FRAME	1		
2	3MPVR00859	CRANKCASE	1		
3	3MPVR00851	TUNNEL	1		
4	3LAFN01153	COLUMN	1		
5	3VTVT29810	SCREW - TCEI M 8X20 UNI 5931	4		
6	3VTVT00456	SCREW - TE 10X25 UNI5739	2		
7	3VTDD00042	NUT - AUT.M10 UNI7474	2		
8	3LAFN01151	PEDAL	1		
9	3LAFN00526	PIN	1		
10	3MLML00028	SPRING	1		
11	3VTAE00016	SEEGER - DIN 472 D.13	1		
12	3MPVR00857	HOOD	1		
13	3MPVR00850	SEAT	1		
14	3VTVT00127	HANDWHEEL	1		
15	3MPVR05082	CRANKCASE	1		

## Body & Frame



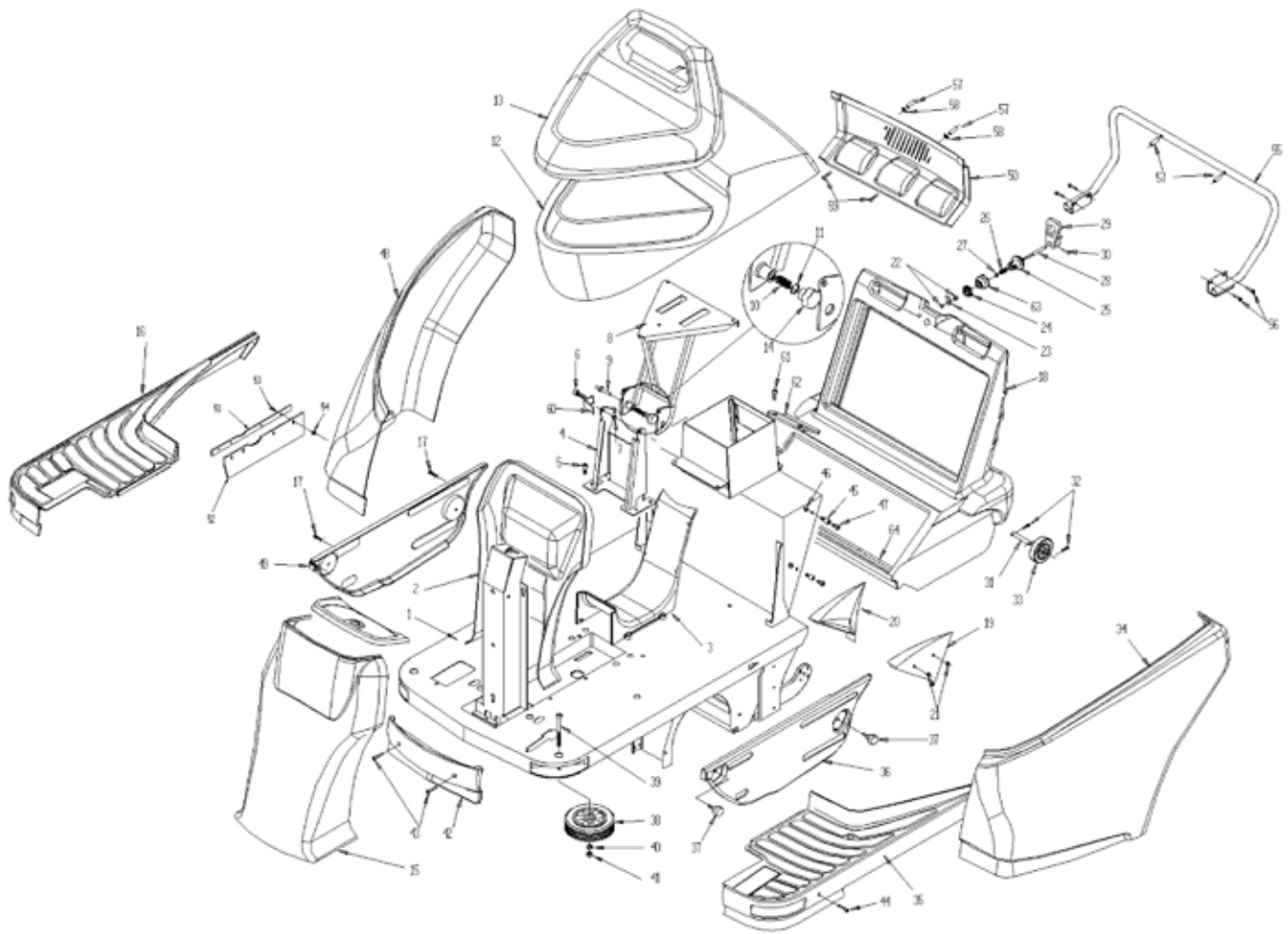
16	3MPVR00853	PLANE	1
17	3VTVT09916	SCREW - TBEI M 6X 20 ISO 7380 ZB	2
18	3MPVR00304	DRAWER	1
19	3PMVR00501	CONVEYOR - LEFT	1
20	3PMVR00502	CONVEYOR - RIGHT	1
21	3VTDD00010	NUT - AUTOBLOK DIN 985 M6 BASSO	4
22	3VTDD13261	NUT - M 8X1 UNI 5589	2
23	3LAFN01177	BRACKET	1
25	3LAFN00338	RING NUT	1
26	3MLML00036	SPRING	1
27	3LAFN75909	SPACER - D.12 H.3.5	1
28	3LAFN00525	PIN	1
29	3MPVR00865	HANDLE	1
30	3VTVR00055	PLUG - D.4 H.32	1
31	3LAFN00532	WHEEL PIN	2
32	3VTVT19236	SCREW - TCEI 5X20 UNI 5931	4

## Body & Frame



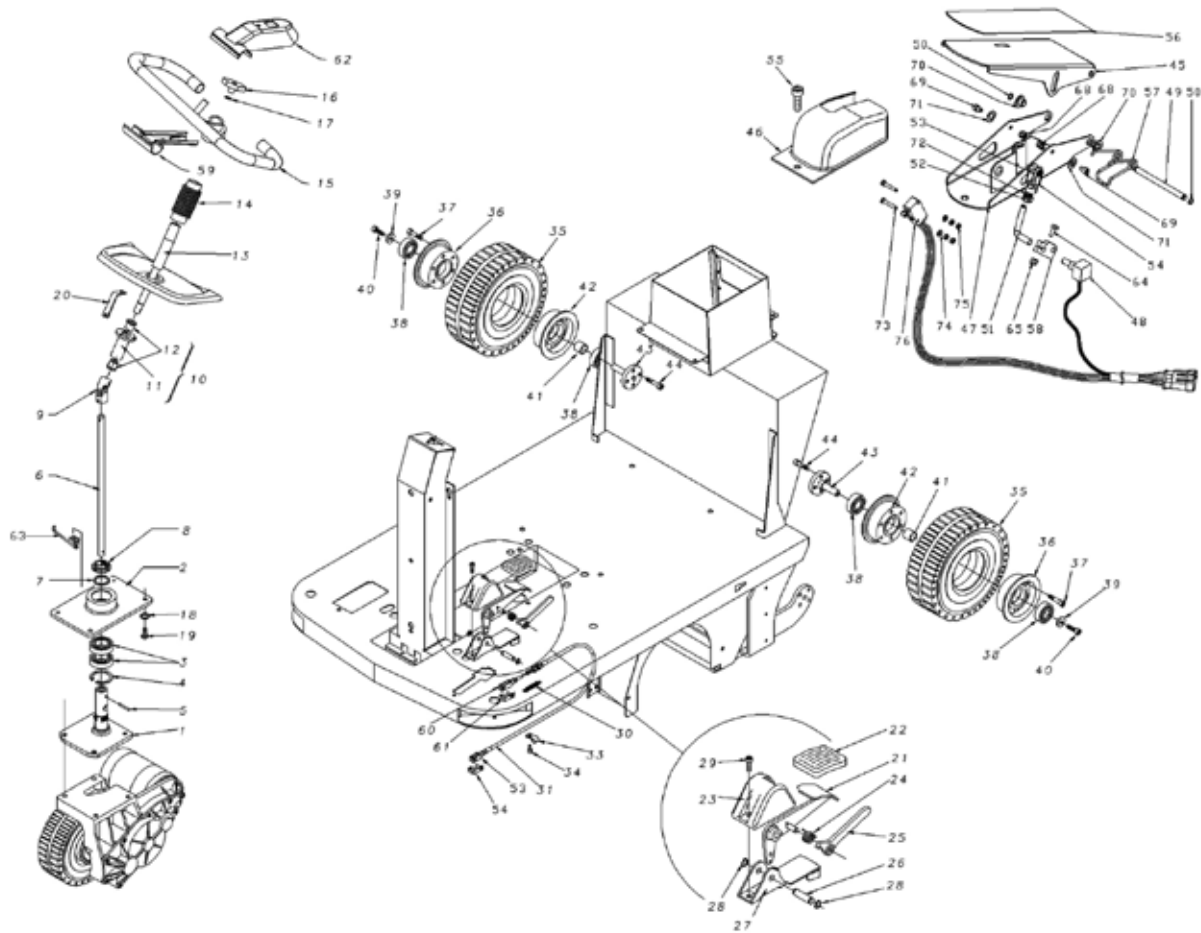
33	3RTRT00016	WHEEL - SCIOLTE 80/30/G NERE	2
34	3MPVR05080	BODY SIDE LATERALE - LEFT	1
35	3MPVR00854	PLANE - LEFT	1
36	3MPVR00856	PLANE - LEFT	1
37	3VTVT00125	HANDWHEEL - D.40 M6X15	2
38	3RTRT00038	WHEEL - D.150X32	2
39	3VTVT01575	CARRYNG BAG	2
40	3VTRS00012	WASHER - UNI 6592 10X21 ZB	2
41	3VTDD00011	NUT - AUTOBLOK DIN 985 M10	2
42	3MPVR00852	BUMPER	1
43	3VTVT00034	SCREW - TBCE ISO 7380 6X35 ZB	2
44	3VTVT09916	SCREW - TBEI M 6X 20 ISO 7380 ZB	4
45	3LAFN01187	SPACER	4
46	3VTDD00010	NUT - AUTOBLOK DIN 985 M6 BASSO	4
47	3VTVT75725	SCREW - TBEI M 6X 10 ISO 7380 ZB	4
48	3MPVR05081	BODY SIDE LATERALE - RIGHT	1

## Body & Frame



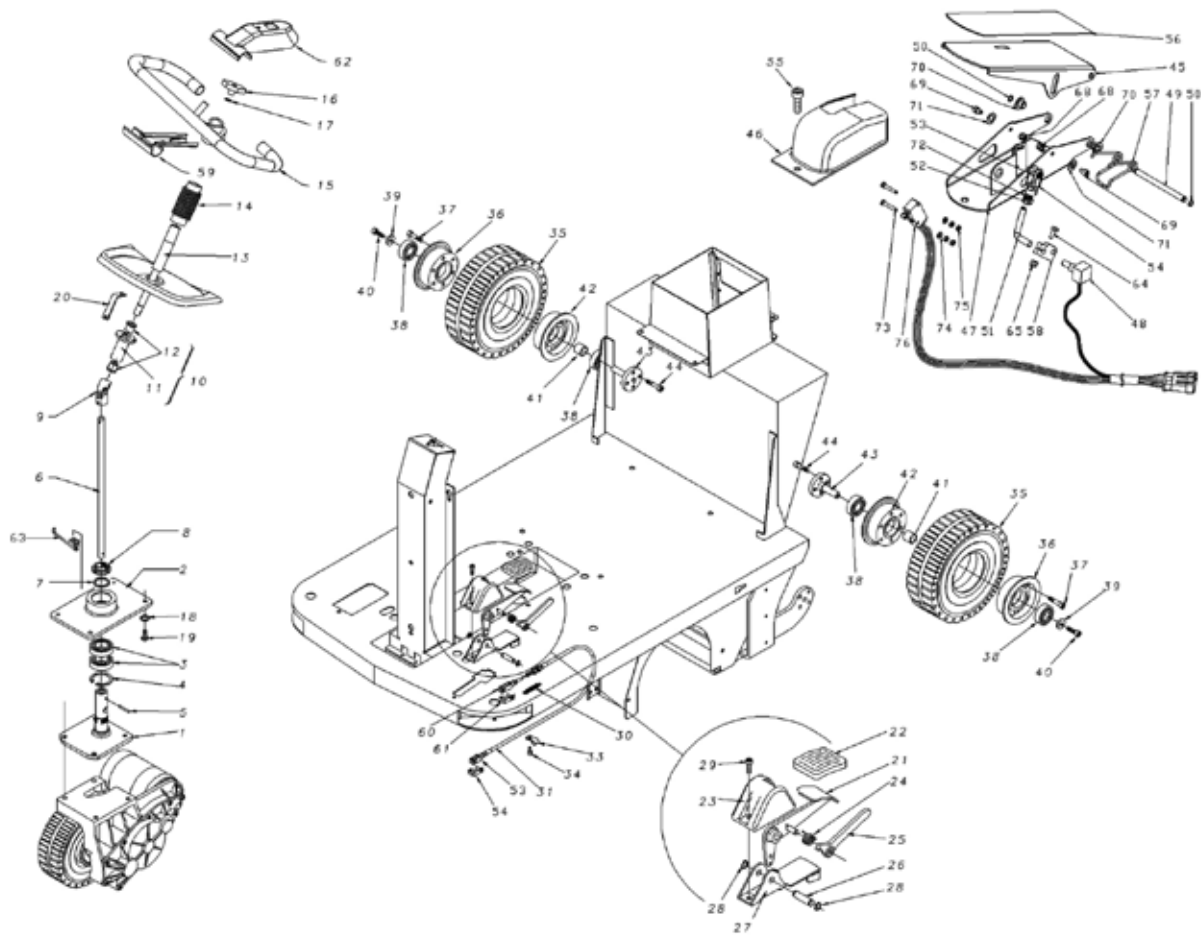
49	3MPVR00855	PLANE - RIGHT	1
50	3MPVR05083	CRANKCASE	1
51	3LAFN10992	SHEET METAL	1
52	3MPVR05092	FLAP - RIGHT	1
53	3VTVT45339	SCREW - TBEI M 5X 16 ISO 7380 ZB	4
54	3VTDD78364	NUT - M5 AUTOBLOCCANTE	4
55	3LAFN10991	BUMPER	1
56	3VTVT00527	SCREW - TE FR 6X10 ZB ZIG.	4
57	3LAFN10994	SPACER	2
58	3VTRS00512	WASHER - D. 8 X24 ZC.	2
59	3VTVT28306	SCREW - TCEI 8X45 UNI5931	2
60	3LAFN01188	BRACKET	2
61	3VTVT08937	SCREW - TCEI 6X10	2
62	3LAFN07037	BRACKET	1
63	3LAFN07036	CONE	1
64	3LAFN06694	SHEET METAL	1

## Fore Wheel



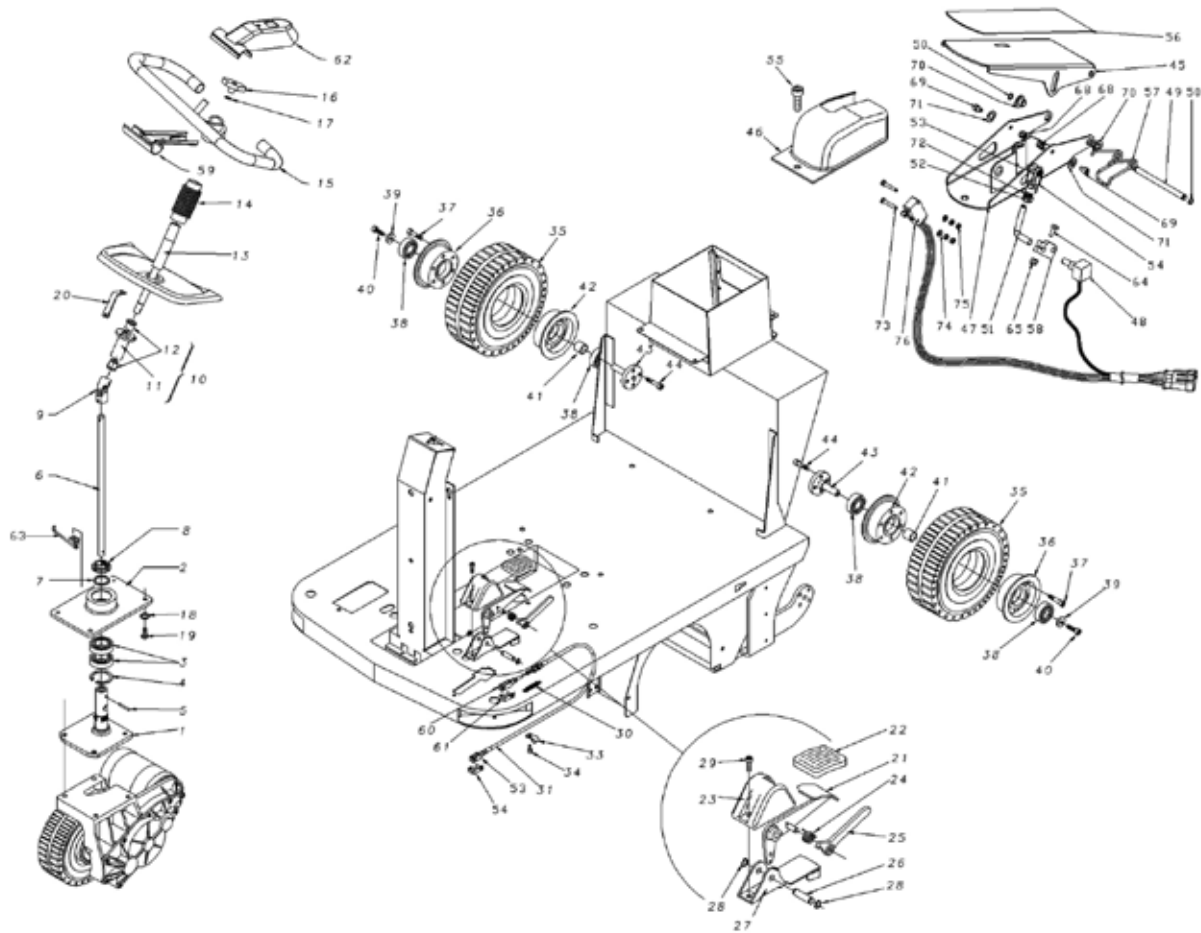
Ref.	Part N.	Description	Quantity	Validity From	Validity To
1	3LAFN00806	SUPPORT	1		
2	3LAFN01167	DOOR	1		
3	3CUVR00025	BEARING - 6006 2RS 30X55X13	2		
4	3VTAE00015	SEEGER	1		
5	3VTVR46987	ELASTIC PLUG	1		
6	3ALTR00039	SHAFT	1		
7	3LAFN01173	SPACER	1		
8	3VTVT00114	RING NUT - AUTOBLOK M30X1,5 GUK	1		
9	3VTVR00057	ARTICULATION	1		
10	3PMTR00077	BUSHING	1		
11	3LAFN00149	BUSHING	1		
12	3LAFN75841	BUSHING	2		
13	3ALTR00031	SHAFT PER	1		
14	3MPVR47066	PROTECTOR	1		
15	3SESD00022	STEERING WHEEL	1		
16	3LAFN01183	SCREW	1		
17	3VTRS00012	WASHER - UNI 6592 10X21 ZB	1		
18	3VTRS00020	WASHER - GOWER UNI 1751 UNI 1751	4		

## Fore Wheel



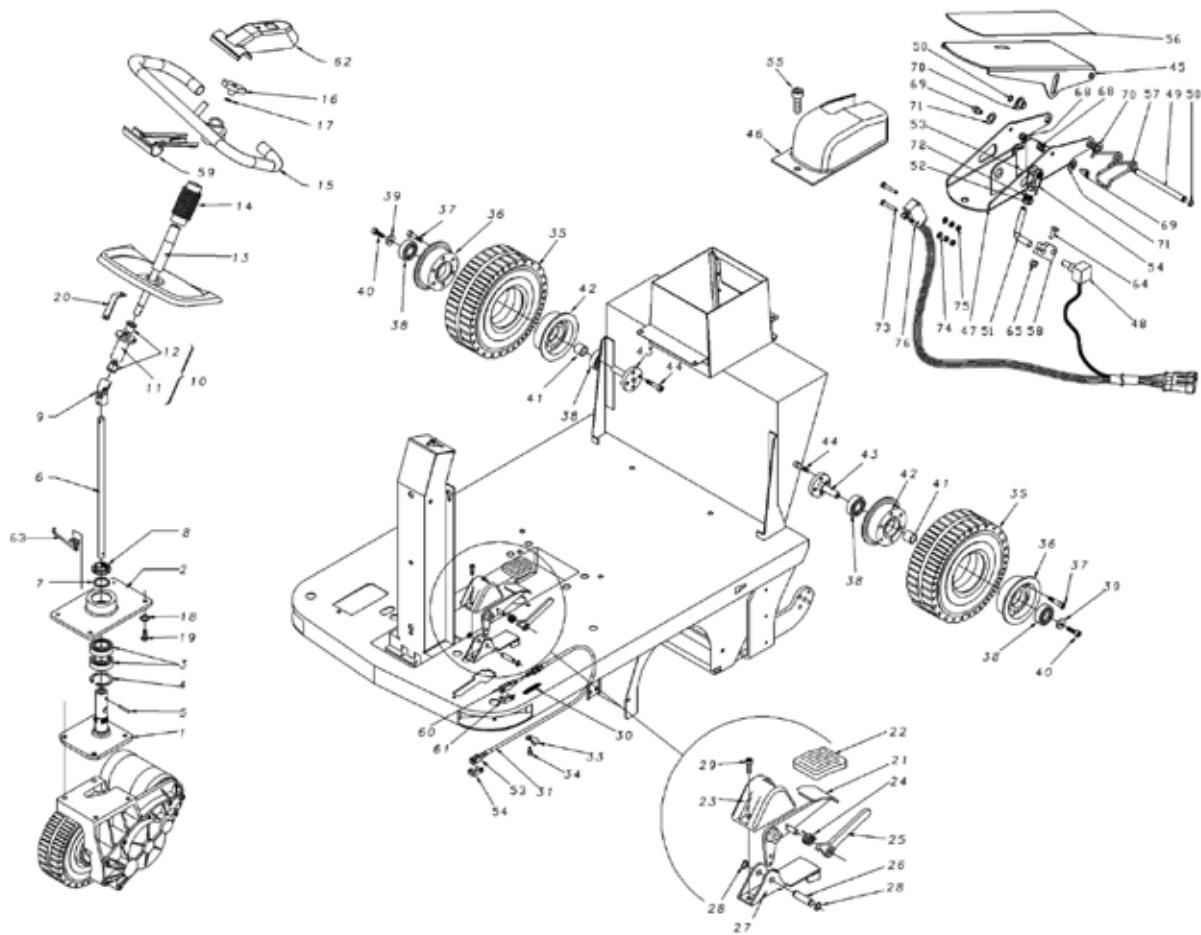
19	3VTVT00015	SCREW - TE UNI 5739 8X25 ZB	4
20	3LAFN01184	BRACKET	1
21	3LAFN00802	PEDALE	1
22	3MPVR45096	RUBBER	1
23	3MPVR00303	CRANKCASE	1
24	3MLML00035	SPRING	1
25	3LAFN01147	PEDALE	1
26	3LAFN00536	PIN	1
27	3LAFN00821	SHEET METAL	1
28	3VTAE87276	SEEGER EXT. - D10 DIN471	2
29	3VTVT09916	SCREW - TBEI M 6X 20 ISO 7380 ZB	1
30	3MLML37337	SPRING - TR 112 H18	1
31	3CMCV00054	CABLE	1
33	3FSVR00005	CLAMP	1
34	3VTVT75719	SCREW - TE F/ROND. M 6 X 10	1
35	3RTRT00035	RING	2
36	3LAFN85290	HUB	2
37	3VTVT00066	SCREW - TCCE UNI 5931 8X25 ZB	12

## Fore Wheel



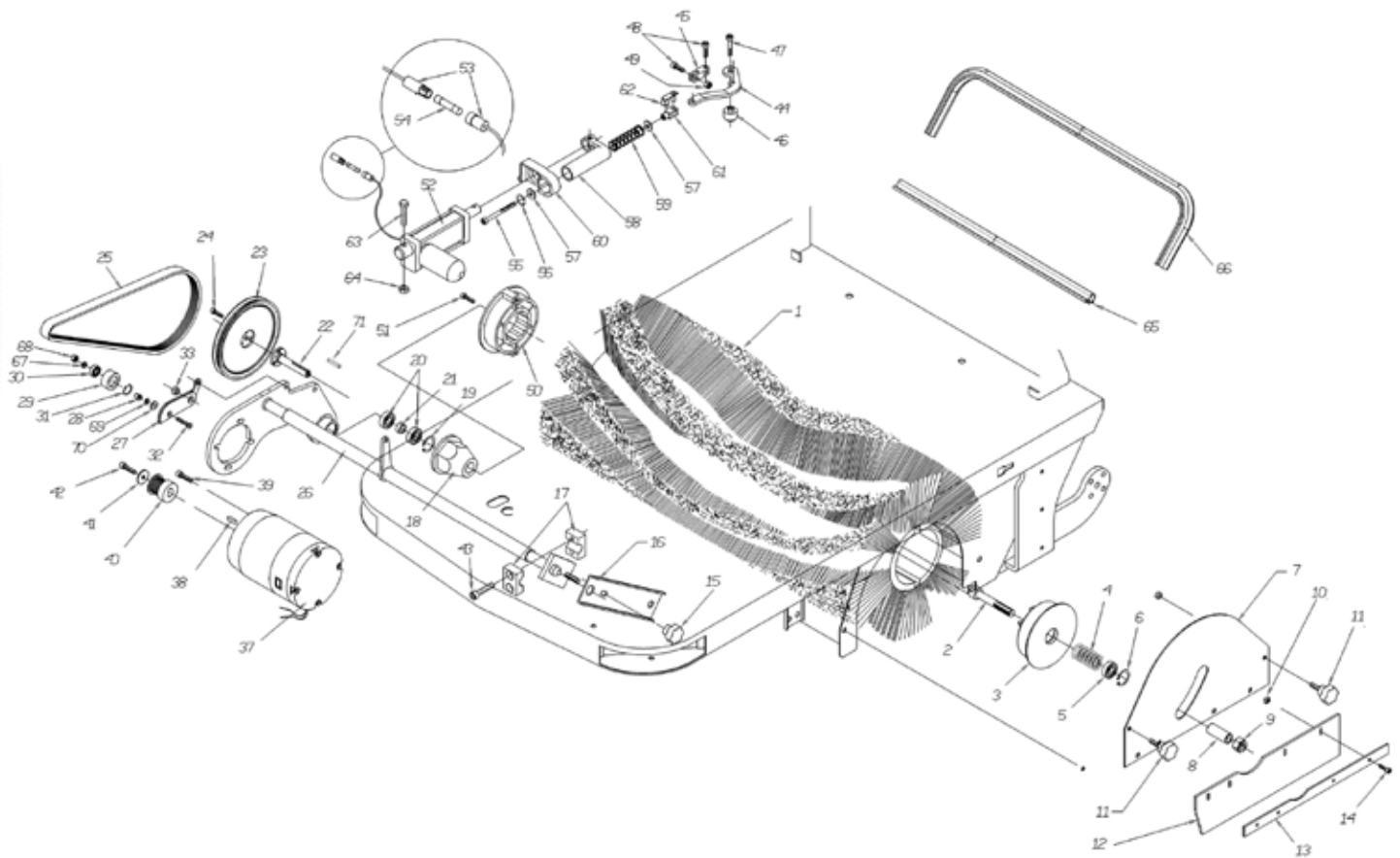
38	3CUVR00005	BEARING	4
39	3VTRS63242	WASHER - D. 6 X24 ZC	2
40	3VTVT75726	SCREW - TBEI M 6X 16 ISO 7380 ZB	2
41	3LAFN00275	SPACER	2
42	3LAFN85380	HUB	2
43	3LAFN00530	WHEEL PIN	2
44	3VTVT45340	SCREW - TSPEI 8X16 UNI5933	8
45	3LAFN06474	SHEET METAL	1
46	3MPVR00302	CRANKCASE	1
47	3LAFN07532	BUSHING	1
48	3MECB01227	WIRING ACCELERATOR	1
49	3LAFN00524	PIN PEDALE	1
50	3VTAE48552	CIRCLIP - D. 6 UNI 7435	2
51	3LAFN00909	BRACKET	1
52	3VTDD00482	NUT - M 6 ZIN UNI 5588	1
53	3CMCV76639	FORK - M 6 UNI 1676	2
54	3CMCV75717	CLIP - UNI 1676 M6	2
55	3VTVT62920	SCREW - TE F/ROND. M 6X 16 ZB	1

## Fore Wheel



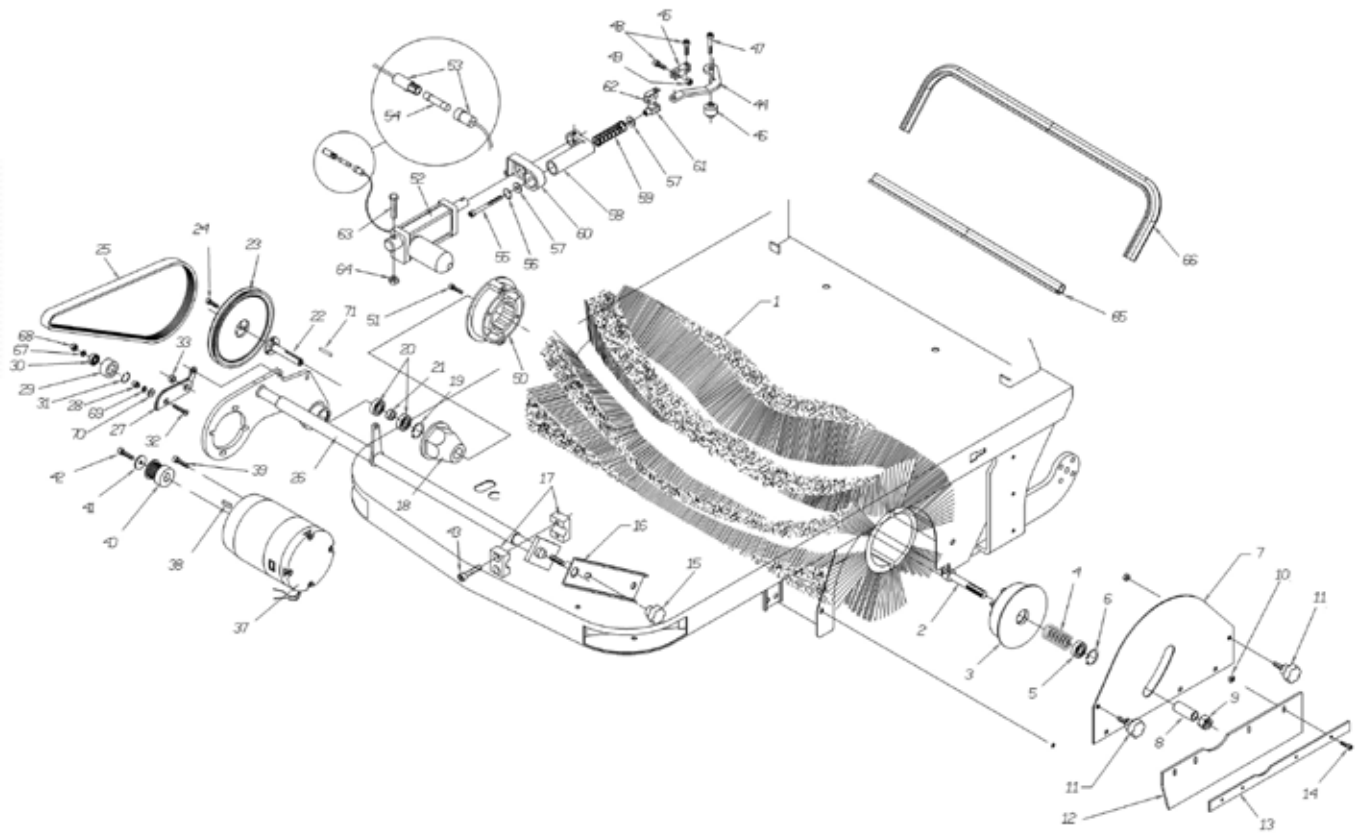
56	3MPVR00866	PLANE	1
57	3MLML00034	SPRING - PEDAL	1
58	3LAFN01149	CONNECTING ROD - PEDAL	1
59	3MPVR04653	COVER	1
60	3CMCV00006	FORK - UNI 1676 M6X24	1
61	3CMCV00009	CLIP - UNI 1676	1
62	3MPVR04652	COVER	1
63	3LAFN07038	ASSEMBLED	1
64	3VTVT00727	SCREW - TE M. 4-20	1
65	3VTDD04369	NUT - M 4 TEF UNI 7473	1
68	3VTDD04369	NUT - M 4 TEF UNI 7473	2
69	3VTVT00089	SCREW - TCCE UNI 5931 4X10 ZB	2
70	3CUVR00183	BUSHING	2
71	3MPVR05528	WASHER	2
72	3VTRS01079	WASHER - D. 6 GROWER	1
73	3VTVT01350	SCREW - M3-20 INOX	2
74	3VTRS00117	WASHER - 3.2X7 UNI6592	2
75	3VTDD21115	NUT - M 3 INOX	4
76	3MECB01228	WIRING	1

## Central Brush



Ref.	Part N.	Description	Quantity	Validity From	Validity To
1	3SPPV00056	CENTRAL BRUSH	1		
2	3VTVT00131	SCREW - TCCE UNI 5931 12X60 ZB	1		
3	3LAFN44772	FLANGE	1		
4	3MLML45098	SPRING - D. 25X38 TK1400	1		
5	3CUVR46942	BALL BEARING	1		
6	3VTAE00010	SEEGER	1		
7	3LAFN06356	PLANE	1		
8	3LAFN01169	SPACER	1		
9	3VTDD00012	NUT - AUTOBLOK DIN 985 M12 ZB	1		
10	3VTVR47015	INSERT	4		
11	3RTRT00022	HANDWHEEL	2		
12	3MPVR04709	FLAP	1		
13	3LAFN00325	CLAMP	1		
14	3VTVT00106	SCREW - AUTOFIL. TC 3,5X14,5	4		
15	3VTVT00124	HANDWHEEL	1		
16	3LAFN00816	ARM	1		
17	3LAFN47055	HOSE COLLAR	4		
18	3LAFN44774	HUB	1		

## Central Brush



19	3VTAE00010	SEEGER - INTERNO DIN 472 D.28	1
20	3CUVR46942	BALL - BEARING 6001-2RS1 -SKF	2
21	3LAFN46932	SPACER	1
22	3LAFN00531	BRUSH PIN	1
23	3MTPL00023	PULLEY	1
24	3VTVT75725	SCREW - TBEI M 6X 10 ISO 7380 ZB	3
25	3MTCG00018	BELT - POLY V 723 J	1
26	3LAFN00804	ARM	1
27	3LAFN07759	REINFORCEMENT	1
28	3LAFN00527	PIN	1
29	3LAFN00636	ROLLER	1
30	3CUVR71988	BEARING	1
31	3VTAE13513	CIRCLIP - D. 26 UNI 7437	1
32	3VTVT00075	SCREW - TSCE UNI 5933 5X20 ZB	1
33	3LAFN01168	BUSHING	1
37	3MOCC00297	MOTOR	1
38	3VTVR13165	KEY - 5X5X20	1
39	3VTVT06237	SCREW - TCEI 6X20 UNI5931	4
40	3MTPL00022	MOTOR PULLEY	1
41	3VTRS63242	WASHER - D. 6 X24 ZC	1
42	3VTVT75725	SCREW - TBEI M 6X 10 ISO 7380 ZB	1